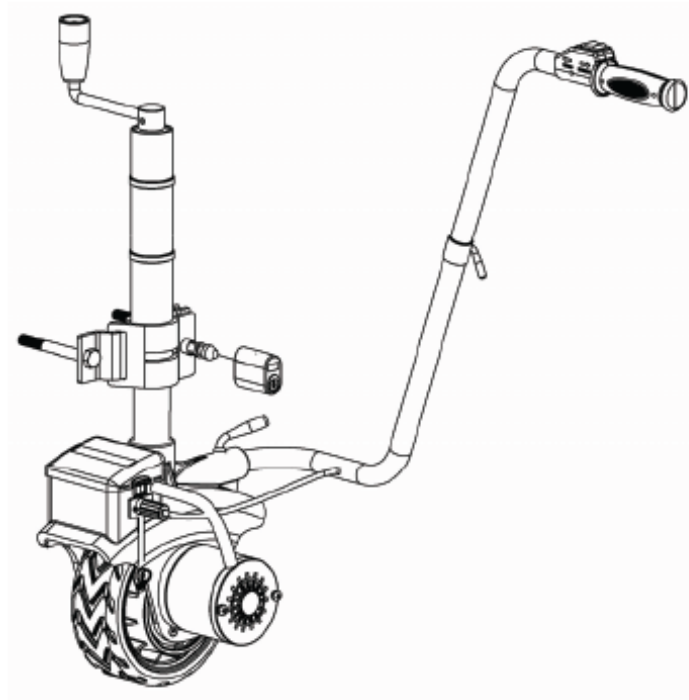


TROJAN 12V MOTORIZED JOCKEY WHEEL

USER MANUAL

"Don't let your caravan push you around"



Trailcom
49 - 73 Pacific Drive
Keysborough
Victoria 3173
AUSTRALIA

TRAIL COM
TRAILER & RV COMPONENT SPECIALISTS
A division of TriMas Corporation Pty Ltd

Contents

Introduction	3
Safety Rules	4
Safety Rules	5
Features & Unit Diagram.....	6
Specifications	6
Installation of the Trojan Motorized Jockey Wheel	7
Tips for safe operation	10
Operation guide	10
Maintenance	11
Trouble Shooting	11

Trailcom
49 – 73 Pacific Drive
Keysborough
Victoria 3173
AUSTRALIA

TRAIL COM
TRAILER & RV COMPONENT SPECIALISTS
A division of TriMas Corporation Pty Ltd

Introduction

Thank you for purchasing the Trojan Motorized Jockey Wheel. The Trojan Motorized Jockey Wheel is designed to make moving your caravan in tight spots a breeze. Should you have any issues or questions please don't hesitate to email or call our customer service center on our free call 1800 number and one of our team members will help you with any queries you may have.

TROJAN TRAILER PARTS CUSTOMER SERVICE

Phn: 1800 059 899

Fax: 1800 008 276

sales@trojanparts.com.au

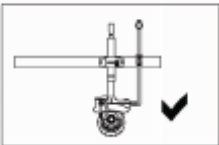
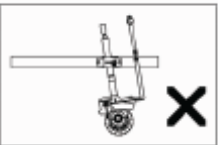
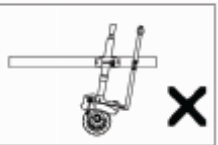


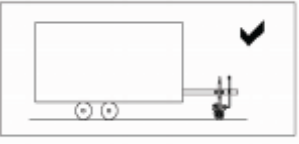
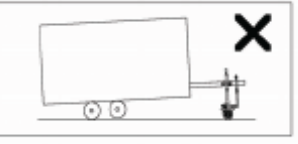

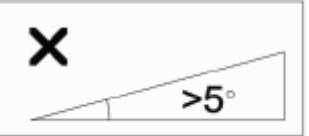
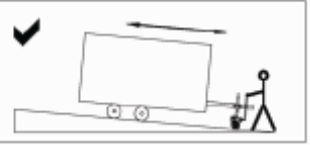
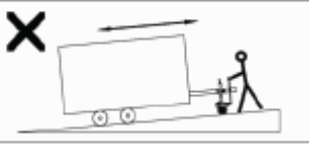
This booklet

Every effort has been made to ensure the accuracy and information in this booklet is as accurate as possible. Trailcom ("Trojan Trailer Parts") reserves the right to change, alter and/or improve the product and this document can be revised at any time without prior notice.

Trailcom
49 – 73 Pacific Drive
Keysborough
Victoria 3173
AUSTRALIA

TRAIL COM
TRAILER & RV COMPONENT SPECIALISTS
A division of TriMas Corporation Pty Ltd

Safety Rules

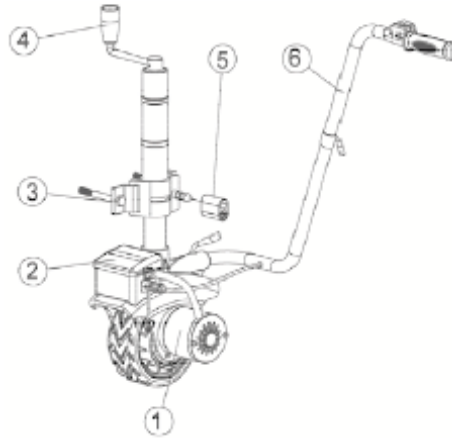
⚠ WARNING		
Always pay attention to the Motorized Jockey Wheel, If Jockey Wheel abnormally warps/twists, stop working immediately.		
		
⚠ WARNING		
Apply blocks to the wheels of the Caravan when on an incline.		
		
⚠ WARNING		
Motorized Jockey Wheel is able to adjust its height for easy Hitching to tow vehicle, please don't lift caravan up when moving.		
		
Do not push or pull your caravan on over 5 degree Gradient.		
		
⚠ WARNING		
When you push or pull vehicle on gradient, Make sure Jockey wheel is in the lowered position.		
		

Safety Rules

1. Please observe the surrounding area when operating the Trojan Motorized Jockey Wheel
2. Please disassemble the Jockey wheel when not in use
3. Do NOT exceed the rated capacity when using the Jockey wheel
4. Do NOT use the jockey wheel for long distance Movement as motor will overheat
5. Do NOT submerge Jockey wheel in Water
6. Disconnect the Jockey Wheel power leads when not in use
7. Battery leads may be replaced, but must be less than 3m in length and over 6mm in diameter.
8. Stop operating Jockey Wheel if unit CANNOT find traction on slippery surface

Features & Unit Diagram

The below image shows the parts that are included in the Trojan Motorized Jockey Wheel



1. Motor & Gear system
2. Control Box
3. C-Clamp (Clamps jockey wheel to drawbar)
4. Jockey wheel lift handle (top wind)
5. Locking Pin
6. Control Handle (3 Functions Forward, Stop, Reverse)

Specifications

*Recommend power: DC 12V, 24Ah battery

*Motor: 12V/350W

*Speed: 6-7m/min

*Gear ratio: 326:1

*Brakes: Automatic

*Recommended Incline load: Less than 5 degrees

*Max vehicle load: 2250kg

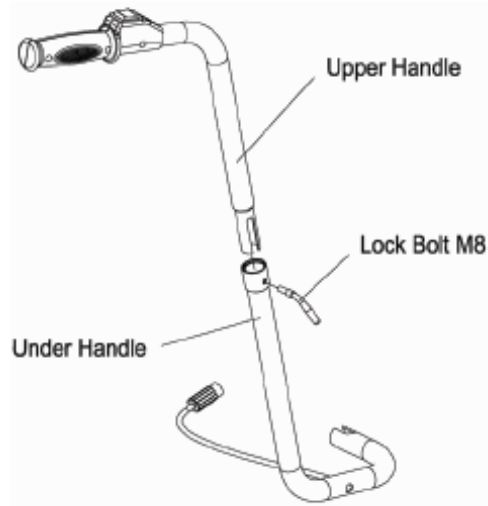
*Max jockey wheel load: 272kg

Trailcom
49 - 75 Pacific Drive
Keysborough
Victoria 3173
AUSTRALIA

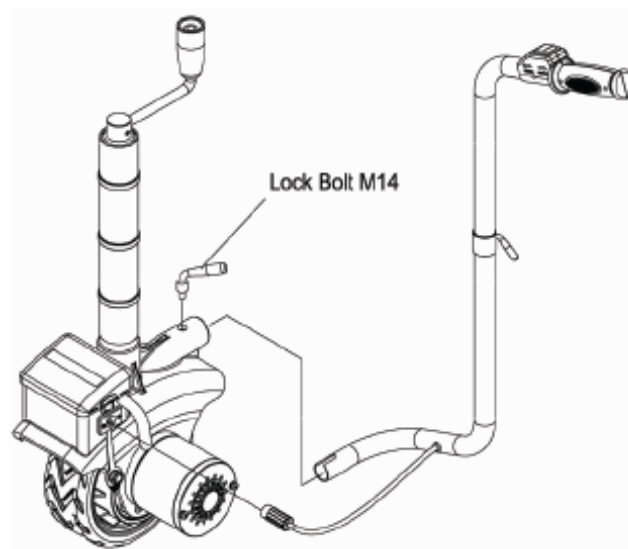
TRAIL COM
TRAILER & RV COMPONENT SPECIALISTS
A division of TriMas Corporation Pty Ltd

Installation of the Trojan Motorized Jockey Wheel

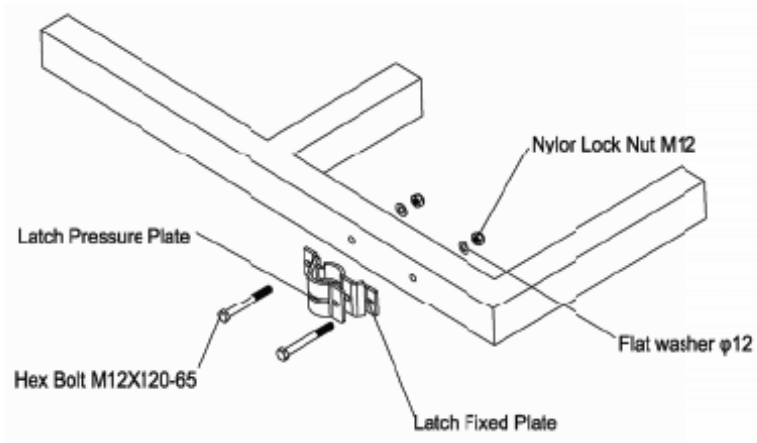
Step1:Connect upper handle and under handle using M8 Bolts.



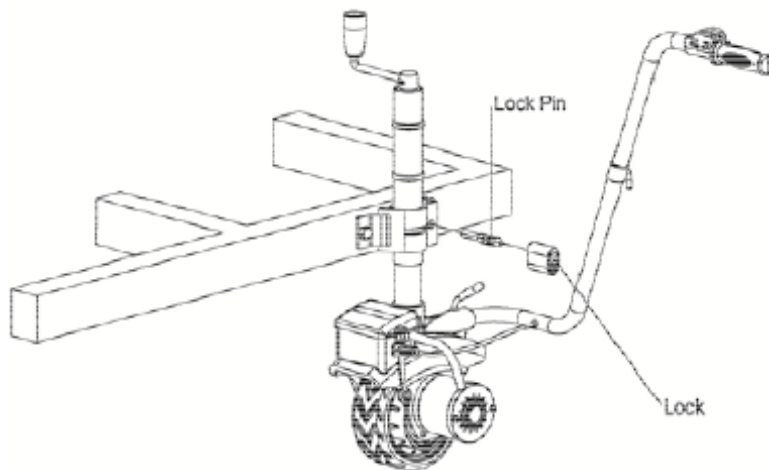
Step2:Attach the handle assembly to the main frame using M14 Bolt.



Step3: Insert the latch pressure plate into the latch fixed plate, then attach the latch fixed plate to the Drawbar of caravan or trailer by using hex bolt M12x120, flat washer Ø12 and nylon lock nut M12.



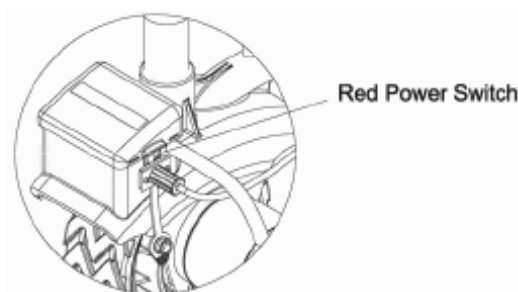
Step4: Compress the latch pressure plate using lock pin and lock.



Step5:Connect power cord into the power socket on the Jockey wheel. Connect the other end of power cord to the battery please be aware of the Negative and Positive terminals of the battery.



Step6: Press the red power switch,opening thecircuit;please make sure to tie up the cables neatly.



Tips for safe operation

1. Jockey wheel is rated at 2250kg pulling weight and 272kg jockey wheel load. Overloads can damage the Motorized Jockey wheel motor& tire etc.
2. Make sure all nuts and bolts, locks etc are securely fastened before operating the Jockey wheel.
3. Check if battery leads are correctly connected to the battery terminals.
4. DO NOT use power leads that are in poor condition, squashed, torn or any other visible damage.
5. Avoid the use of the machine in wet conditions (rain).

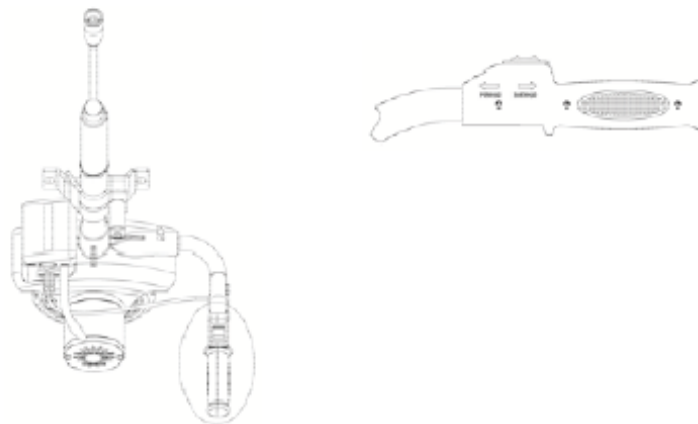
Operation guide

*Take time to assess your situation and plan your movement.

*Clamp the Trojan Motorized Jockey wheel to the Drawbar of the caravan or trailer. Locking pin and cover is recommended.

*Fix the handle and connect handle leads to control box, and connect battery leads to battery terminal.

*Press the buttons on the control handle to move the motorized Jockey wheel in the desired direction you wish to move the Jockey Wheel.



Maintenance

All moving parts within the Motorized Jockey Wheel have been Lubricated using high temperature lithium grease. No internal lubrication is required. If the Jockey Wheel is being used in high moisture conditions for long periods of time, internal lubrication will be necessary, please find a professional technician for maintenance.

Trouble Shooting

PROBLEM	CAUSE	SOLUTION
Motor does not turn on	<ul style="list-style-type: none">• Circuit breaking• Battery leads & connection loose.• Electric contactor issue• Motor failure• Circuit protector activated from motor overheat	<ul style="list-style-type: none">• Press red switch on control box• Clean and screw tight the leads on battery terminal• Open Control box, check if plug is loose• Replace motor• Stop working for 5 minutes, let motor cool down
Slow motor speed	<ul style="list-style-type: none">• Low voltage on motor or too much weight on Jockey Wheel	<ul style="list-style-type: none">• Recharge battery• Check Weight on Jockey Wheel
Loud noise emitted from Motor	<ul style="list-style-type: none">• Jockey wheel is overloaded• Jockey wheel is being used on a greater than 5deg incline	<ul style="list-style-type: none">• Decrease weight on jockey wheel• Cease using Jockey wheel if incline is greater than 5deg

TROJAN ONE YEAR WARRANTY

Our goods come with guarantees that cannot be excluded under the Australian Consumer Law. You are entitled to a replacement or refund for a major failure and for compensation for any other reasonably foreseeable loss or damage. You are also entitled to have the goods repaired or replaced if the goods fail to be of acceptable quality and the failure does not amount to a major failure.

TriMas Corporation Pty Ltd trading as Trailcom Australia ("Trailcom") provides the following warranty in relation to the products under the Trojan one year warranty.

The benefits of this warranty are in addition to any rights and remedies imposed by Australian State and Federal legislation that cannot be excluded. Nothing in this warranty is to be interpreted as excluding, restricting or modifying any State or Federal legislation applicable to the supply of goods and services which cannot be so excluded, restricted or modified.

For safety and use instructions, please refer to any General or Specific Fitting Instructions and Use & Care Instructions enclosed.

One Year Warranty

Trailcom warrants that, subject to the exclusions and limitations below, the product will be free from defects in materials and workmanship for a period of one year.

The warranty period commences on the date of sale by the authorised stockist to the original purchaser. The Warranty applies only while the product is owned by the original purchaser or the recipient of a new product (in the case of acquisition as a gift or promotion). The Warranty does not apply to product that were purchased second hand, whether purchased installed on a vehicle or purchased separately.

If a defect appears in the product before the end of the warranty period and Trailcom finds the product to be defective in materials or workmanship, Trailcom will, in its sole discretion, either:

1. repair the products or the defective component of the product free of charge;
2. replace the product or the defective component of the product ;or
3. refund the purchase price of the product to the original purchaser.

Trailcom reserves the right to change the design, specifications or composition of the product without notice and without liability. Trailcom reserves the right to replace defective products or components with products or components of similar quality, grade and composition, where an identical product or component is not available.

Goods presented for repair may be replaced by refurbished goods of the same type rather than being repaired. Refurbished parts may be used to repair the goods.

Warranty claims

1. If a fault covered by warranty occurs, the purchaser must first contact Trailcom (at the contact address listed below) or an authorised Trojan stockist.
2. Any warranty claim must be accompanied by proof of purchase and details of the alleged defect. Evidence of the alleged defect (such as photos or video) may be requested.
3. The product must be returned to Trailcom or made available to Trailcom for inspection of the alleged defect prior to any warranty claim being accepted. Details of how to return the Trailcom will be provided at the time of the claim. The cost of delivery of the product to and from Trailcom or the authorised Trojan stockist is the responsibility of the purchaser.

Trailcom
49 – 73 Pacific Drive
Keysborough
Victoria 3173
AUSTRALIA



This warranty is limited to defects in the materials or workmanship of the Product and does not cover expendable parts and accessories. This warranty does not cover the repair or replacement of the product, parts or accessories due to normal wear and tear, degradation or consumption.

Exclusions

The Warranty will not apply where:

- a) the product has been on-sold or assigned by the original purchaser;
- b) the product has been modified or repaired by someone other than Trailcom or an authorised Trojan stockist;
- c) Trailcom cannot establish any fault in the product after testing;
- d) the product has been used other than for the purpose for which it was designed;
- e) the product has been subject to abnormal conditions, including temperature, water, humidity, pressure, stress or similar;
- f) the purchaser has used or fitted to the product non-Trojan parts and accessories;
- g) the purchaser has failed to properly secure the product;
- h) the defect in the product has arisen due to abuse, misuse, neglect or accident;
- i) the defect in the product has arisen due to the unlawful or unusual operation of the vehicle to which it is fitted;
- j) the defect in the product has arisen due to the purchaser's failure to properly assemble, install, fit, maintain or use the product in accordance with the specifications and instructions provided by Trailcom as recommended in the Use & Care documentation available at time of purchase;
- k) the defect in the product has arisen due to incorrect loading or inappropriate weight distribution
- l) the defect in the product has arisen due to the overloading of the product beyond its specified or recommended capacities.

Limitations

Trailcom makes no express warranties or representations other than set out in this Warranty.

The repair or replacement of the product, or part of it, or a refund of the purchase price of the product, is the absolute limit of Trailcom liability under this express Warranty.

Contact

Trailcom, a division of TriMas Corporation Pty Ltd
49 Pacific Drive Keysborough
PO Box 4050, Dandenong South VIC 3164
Ph: 1800 059 899
Fax: 1800 008 276
Email: sales@trojanparts.com.au

Trailcom
49 – 75 Pacific Drive
Keysborough
Victoria 3173
AUSTRALIA

