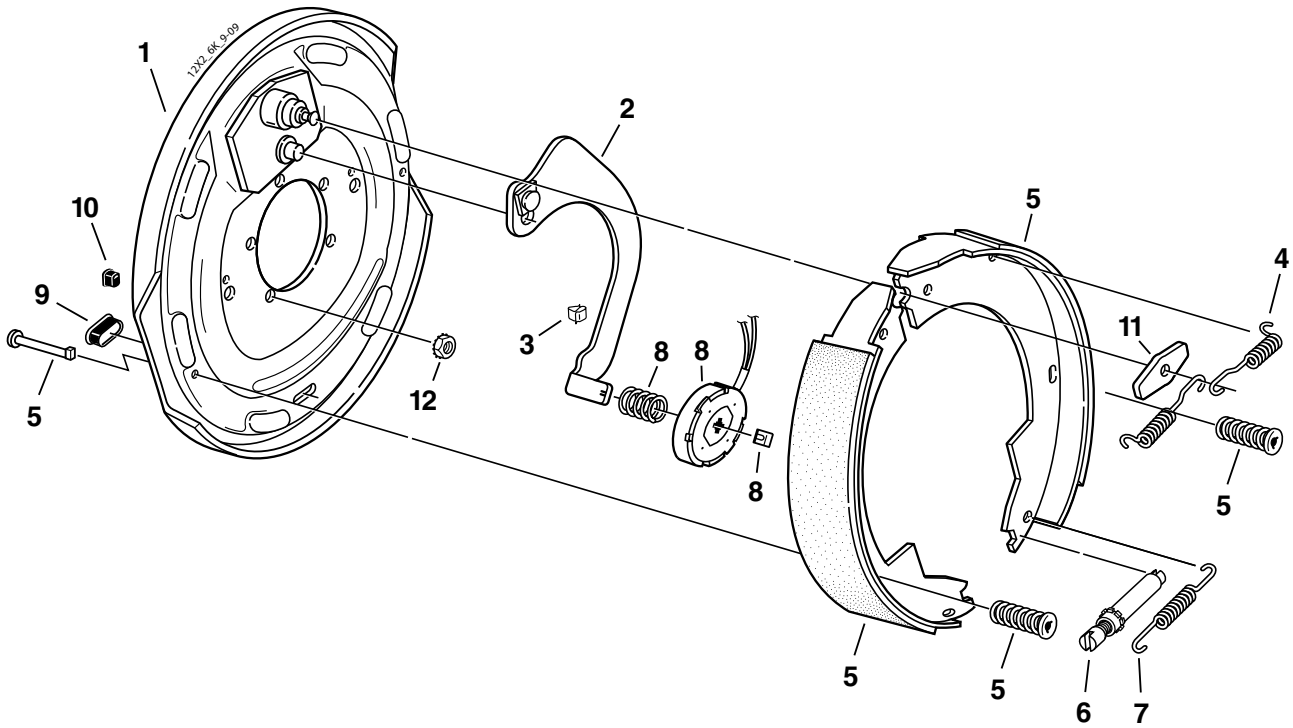


D52, D60 12" x 2" Electric Brake



CSA approved at 5200#/14.2 SLR
CSA approved at 6000#/14.2 SLR



Electric Brake 6000# (CSA 5200#)

Item	Part No.	Qty/Brk	Description
0	K23-105-00	1	LH Complete Brake Assembly
0	K23-106-00	1	RH Complete Brake Assembly (shown)
1	036-089-10	1	Backing Plate Assembly
2	047-107-05	1	LH Actuating Lever Arm Assembly
2	047-108-05	1	RH Actuating Lever Arm Assembly
3	027-005-00	2	Wire Clip
4	046-009-00	2	Retractor Spring
5	K71-048-00	1	Shoe & Lining Kit Contains: 1 #040-044-00 Primary Shoe & Lining 1 #040-045-00 Secondary Shoe & Lining 2 #049-011-00 Shoe Hold Down Pin #2 2 #046-077-00 Shoe Hold Down Spring & Cup
6	043-004-00	1	Adjuster Assembly
7	046-018-00	1	Adjusting Screw Spring
8	K71-105-00	1	Magnet Kit Contains: 1 #042-144-00 Magnet (white wire) 1 #027-009-00 Magnet Clip 1 #046-080-00 Magnet Spring
9	046-007-00	2	Adjuster Slot Plug
10	046-016-00	1	Wire Grommet
11	005-067-00	1	Anchor Post Washer
*12	006-193-00	5	Nut Washer Assembly

* Not included with complete brake assembly. Item sold separately.

Electric Brake 6000# (CSA 6000#)

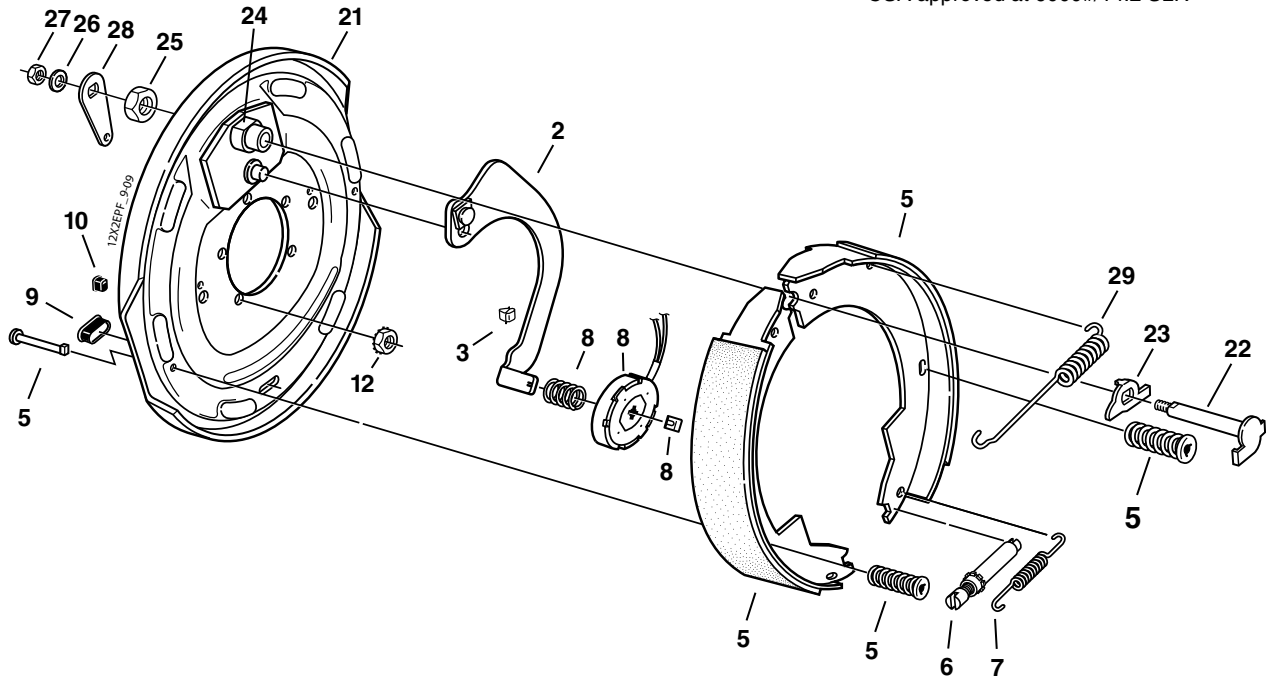
Item	Part No.	Qty/Brk	Description
0	K23-326-00	1	LH Complete Brake Assembly
0	K23-327-00	1	RH Complete Brake Assembly
1	036-089-10	1	Backing Plate Assembly
2	047-107-05	1	LH Actuating Lever Arm Assembly
2	047-108-05	1	RH Actuating Lever Arm Assembly
3	027-005-00	2	Wire Clip
4	046-009-00	2	Retractor Spring
5	K71-127-00	1	Shoe & Lining Kit Contains: 1 #040-215-00 Primary Shoe & Lining 1 #040-216-00 Secondary Shoe & Lining 2 #049-011-00 Shoe Hold Down Pin #2 2 #046-077-00 Shoe Hold Down Spring & Cup
6	043-004-00	1	Adjuster Assembly
7	046-018-00	1	Adjusting Screw Spring
8	K71-105-00	1	Magnet Kit Contains: 1 #042-144-00 Magnet (white wire) 1 #027-009-00 Magnet Clip 1 #046-080-00 Magnet Spring
9	046-007-00	2	Adjuster Slot Plug
10	046-016-00	1	Wire Grommet
11	005-067-00	1	Anchor Post Washer
*12	006-193-00	5	Nut Washer Assembly

D52, D60 12" x 2" Electric Brake With Parking Feature



CSA approved at 5200#/14.2 SLR
CSA approved at 6000#/14.2 SLR

4100 - 6000 LBS. CAPACITY



Electric Parking Brake 6000# (CSA 5200#)

Item	Part No.	Qty/Brk	Description
0	K23-112-00	1	LH Complete Brake Assembly
0	K23-113-00	1	RH Complete Brake Assembly (shown)
2	047-107-05	1	LH Actuating Lever Arm Assembly
2	047-108-05	1	RH Actuating Lever Arm Assembly
3	027-005-00	2	Wire Clip
5	K71-048-00	1	Shoe & Lining Kit Contains: 1 #040-044-00 Primary Shoe & Lining 1 #040-045-00 Secondary Shoe & Lining 2 #049-011-00 Shoe Hold Down Pin #2 2 #046-077-00 Shoe Hold Down Spring & Cup
6	043-004-00	1	Adjuster Assembly
7	046-018-00	1	Adjusting Screw Spring
8	K71-105-00	1	Magnet Kit Contains: 1 #042-144-00 Magnet (white wire) 1 #027-009-00 Magnet Clip 1 #046-080-00 Magnet Spring
9	046-007-00	2	Adjuster Slot Plug
10	046-016-00	1	Wire Grommet
*12	006-193-00	5	Nut Washer Assembly
20	036-089-08	1	LH Backing Plate Assembly Complete (includes #21-28)
20	036-089-09	1	RH Backing Plate Assembly Complete (includes #21-28)
21	036-089-06	1	LH Backing Plate Assembly
21	036-089-07	1	RH Backing Plate Assembly
22	039-025-00	1	LH Pivot Pin & Cam Sub-Assembly
22	039-026-00	1	RH Pivot Pin & Cam Sub-Assembly
23	039-048-00	1	LH Actuating Cam
23	039-049-00	1	RH Actuating Cam
24	038-068-00	1	Anchor Post & Bushing Sub-Assembly
25	006-047-00	1	Anchor Post Locknut
26	005-041-00	1	Washer
27	006-011-00	1	Pivot Pin Locknut
28	047-070-00	1	Parking Brake Lever
29	046-005-00	1	Retractor Spring

* Not included with complete brake assembly. Item sold separately.

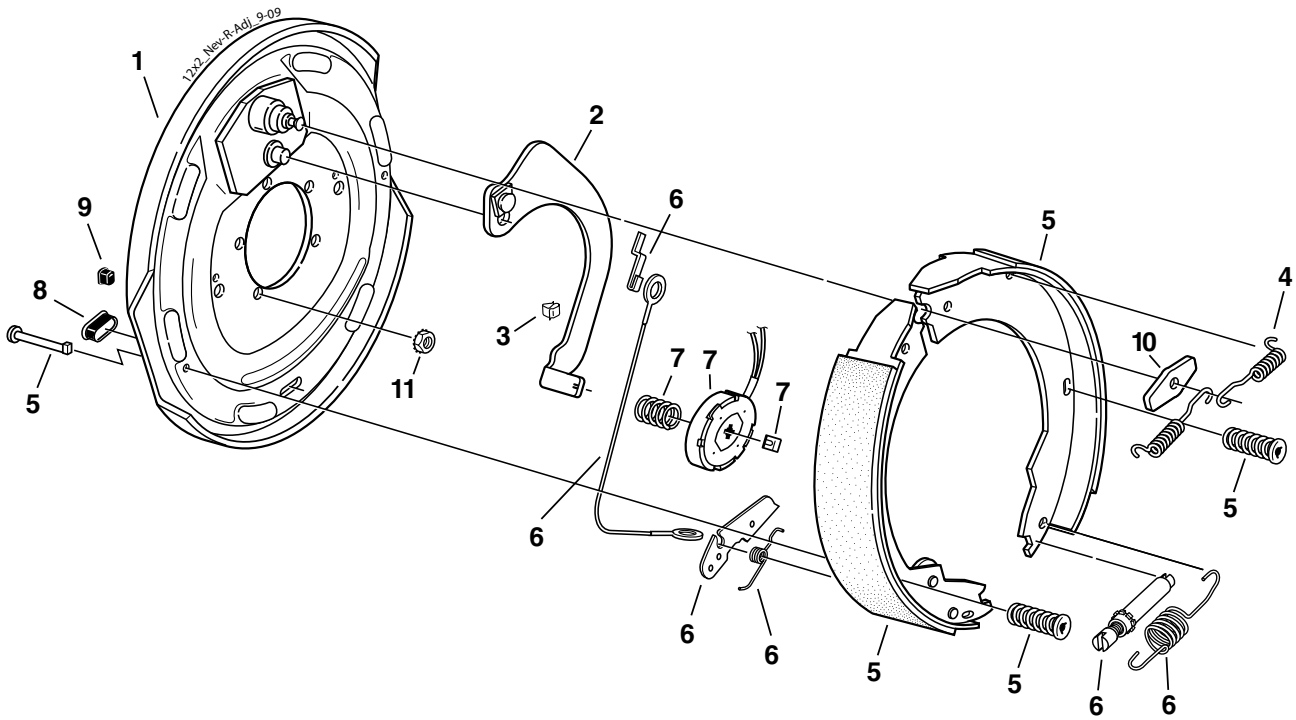
Electric Parking Brake 6000# (CSA 6000#)

Item	Part No.	Qty/Brk	Description
0	K23-328-00	1	LH Complete Brake Assembly
0	K23-329-00	1	RH Complete Brake Assembly
2	047-107-05	1	LH Actuating Lever Arm Assembly
2	047-108-05	1	RH Actuating Lever Arm Assembly
3	027-005-00	2	Wire Clip
5	K71-127-00	1	Shoe & Lining Kit Contains: 1 #040-215-00 Primary Shoe & Lining 1 #040-216-00 Secondary Shoe & Lining 2 #049-011-00 Shoe Hold Down Pin #2 2 #046-077-00 Shoe Hold Down Spring & Cup
6	043-004-00	1	Adjuster Assembly
7	046-018-00	1	Adjusting Screw Spring
8	K71-105-00	1	Magnet Kit Contains: 1 #042-144-00 Magnet (white wire) 1 #027-009-00 Magnet Clip 1 #046-080-00 Magnet Spring
9	046-007-00	2	Adjuster Slot Plug
10	046-016-00	1	Wire Grommet
*12	006-193-00	5	Nut Washer Assembly
20	036-089-08	1	LH Backing Plate Assembly Complete (includes #21-28)
20	036-089-09	1	RH Backing Plate Assembly Complete (includes #21-28)
21	036-089-06	1	LH Backing Plate Assembly
21	036-089-07	1	RH Backing Plate Assembly
22	039-025-00	1	LH Pivot Pin & Cam Sub-Assembly
22	039-026-00	1	RH Pivot Pin & Cam Sub-Assembly
23	039-048-00	1	LH Actuating Cam
23	039-049-00	1	RH Actuating Cam
24	038-068-00	1	Anchor Post & Bushing Sub-Assembly
25	006-047-00	1	Anchor Post Locknut
26	005-041-00	1	Washer
27	006-011-00	1	Pivot Pin Locknut
28	047-070-00	1	Parking Brake Lever
29	046-005-00	1	Retractor Spring

D52, D60 12" x 2" Nev-R-Adjust® Electric Brake



CSA approved at 5200#/14.2 SLR
CSA approved at 6000#/14.2 SLR



Electric Brake 6000# (CSA 5200#)

Item	Part No.	Qty/Brk	Description
0	K23-458-00	1	LH Complete Brake Assembly
0	K23-459-00	1	RH Complete Brake Assembly (shown)
1	036-089-10	1	Backing Plate Assembly
2	047-107-05	1	LH Actuating Lever Arm Assembly
2	047-108-05	1	RH Actuating Lever Arm Assembly
3	027-005-00	2	Wire Clip
4	046-009-00	2	Retractor Spring
5	K71-673-00	1	LH Shoe & Lining Kit Contains: 1 #040-044-00 Primary Shoe & Lining 1 #040-045-03 Secondary Shoe & Lining 2 #049-011-00 Shoe Hold Down Pin #2 2 #046-077-00 Shoe Hold Down Spring & Cup
5	K71-674-00	1	RH Shoe & Lining Kit Contains: 1 #040-044-00 Primary Shoe & Lining 1 #040-045-04 Secondary Shoe & Lining 2 #049-011-00 Shoe Hold Down Pin #2 2 #046-077-00 Shoe Hold Down Spring & Cup
6	K71-679-00	1	LH & RH Brake Adjuster Kit Contains: 2 #046-139-00 Adjusting Screw Spring 1 #046-140-00 LH Lever Spring 1 #046-141-00 RH Lever Spring 1 #048-022-00 LH Adjuster Assembly 1 #048-023-00 RH Adjuster Assembly 2 #071-528-00 Adjuster Cable 2 #071-529-00 Hook for Cable 1 #071-530-01 LH Adjusting Lever 1 #071-530-02 RH Adjusting Lever
7	K71-105-00	1	Magnet Kit Contains: 1 #042-144-00 Magnet (white wire) 1 #027-009-00 Magnet Clip 1 #046-080-00 Magnet Spring
8	046-007-00	2	Adjuster Slot Plug
9	046-016-00	1	Wire Grommet
10	005-067-00	1	Anchor Post Washer
*11	006-193-00	5	Nut Washer Assembly

* Not included with complete brake assembly. Item sold separately.

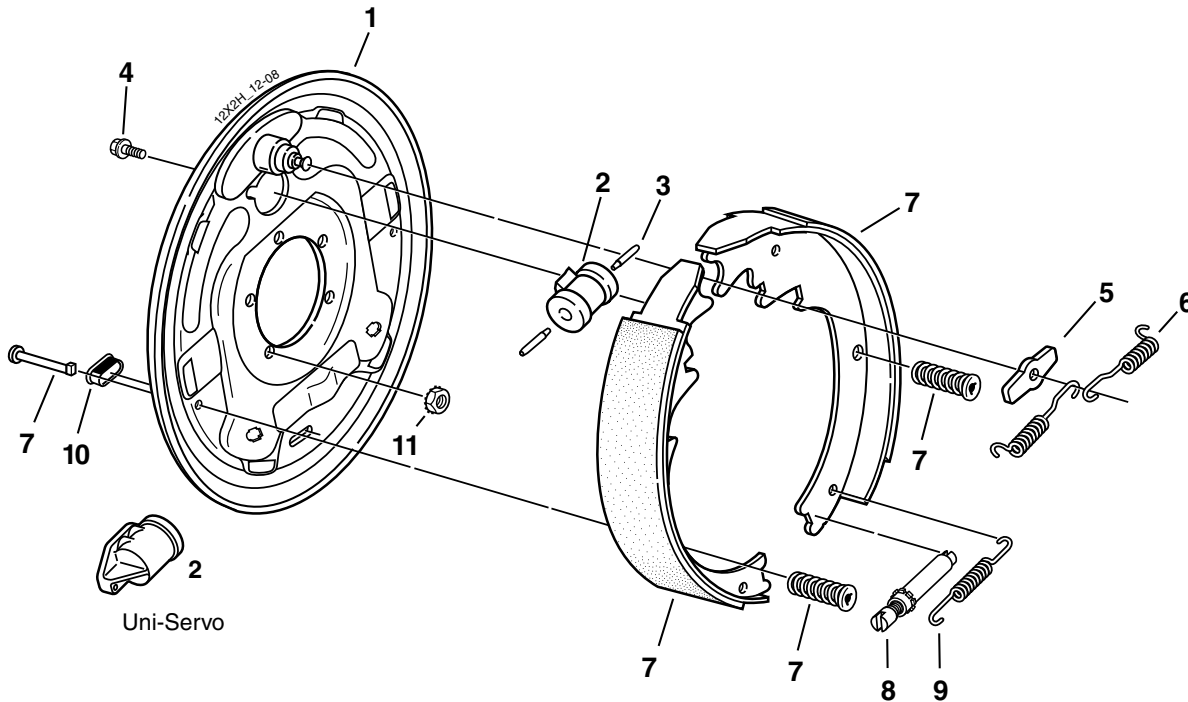
Electric Brake 6000# (CSA 6000#)

Item	Part No.	Qty/Brk	Description
0	K23-466-00	1	LH Complete Brake Assembly
0	K23-467-00	1	RH Complete Brake Assembly (shown)
1	036-089-10	1	Backing Plate Assembly
2	047-107-05	1	LH Actuating Lever Arm Assembly
2	047-108-05	1	RH Actuating Lever Arm Assembly
3	027-005-00	2	Wire Clip
4	046-009-00	2	Retractor Spring
5	K71-675-00	1	LH Shoe & Lining Kit Contains: 1 #040-215-00 Primary Shoe & Lining 1 #040-216-01 Secondary Shoe & Lining 2 #049-011-00 Shoe Hold Down Pin #2 2 #046-077-00 Shoe Hold Down Spring & Cup
5	K71-676-00	1	RH Shoe & Lining Kit Contains: 1 #040-215-00 Primary Shoe & Lining 1 #040-216-02 Secondary Shoe & Lining 2 #049-011-00 Shoe Hold Down Pin #2 2 #046-077-00 Shoe Hold Down Spring & Cup
6	K71-679-00	1	LH & RH Brake Adjuster Kit Contains: 2 #046-139-00 Adjusting Screw Spring 1 #046-140-00 LH Lever Spring 1 #046-141-00 RH Lever Spring 1 #048-022-00 LH Adjuster Assembly 1 #048-023-00 RH Adjuster Assembly 2 #071-528-00 Adjuster Cable 2 #071-529-00 Hook for Cable 1 #071-530-01 LH Adjusting Lever 1 #071-530-02 RH Adjusting Lever
7	K71-105-00	1	Magnet Kit Contains: 1 #042-144-00 Magnet (white wire) 1 #027-009-00 Magnet Clip 1 #046-080-00 Magnet Spring
8	046-007-00	2	Adjuster Slot Plug
9	046-016-00	1	Wire Grommet
10	005-067-00	1	Anchor Post Washer
*11	006-193-00	5	Nut Washer Assembly

D52, D60 12" x 2" Hydraulic Brake



4100 - 6000 LBS. CAPACITY



Note: Uni-Servo brakes to be used with surge actuator

Hydraulic Brake 5200#

Item	Part No.	Qty/Brk	Description
0	K23-322-00	1	LH Complete Brake Assembly-DS
0	K23-323-00	1	RH Complete Brake Assembly-DS (shown)
0	K23-324-00	1	LH Complete Brake Assembly-US
0	K23-325-00	1	RH Complete Brake Assembly-US (shown)
1	036-093-03	1	Backing Plate Assembly
2	054-062-00	1	LH Brake Cylinder Duo-Servo
2	054-063-00	1	RH Brake Cylinder Duo-Servo
2	054-064-00	1	LH Brake Cylinder Uni-Servo
2	054-065-00	1	RH Brake Cylinder Uni-Servo
3	054-060-00	1 or 2	Cylinder Push Rod US (1) DS (2)
4	087-001-00	2	Sems (screw & washer assembly)
5	005-113-00	1	Anchor Post Washer
6	046-101-00	2	Retractor Spring
7	K71-268-00	1	Shoe & Lining Kit Contains: 1 #040-204-00 Primary Shoe & Lining 1 #040-206-00 Secondary Shoe & Lining 2 #046-077-00 Shoe Hold Down Spring & Cup 2 #049-012-00 Shoe Hold Down Pin #4
8	043-029-00	1	Adjuster Assembly
9	046-102-00	1	Adjusting Screw Spring
10	046-007-00	1	Adjuster Slot Plug
*11	006-193-00	5	Nut Washer Assembly
ns	054-089-00	1	Bleeder Screw (included with item #2)

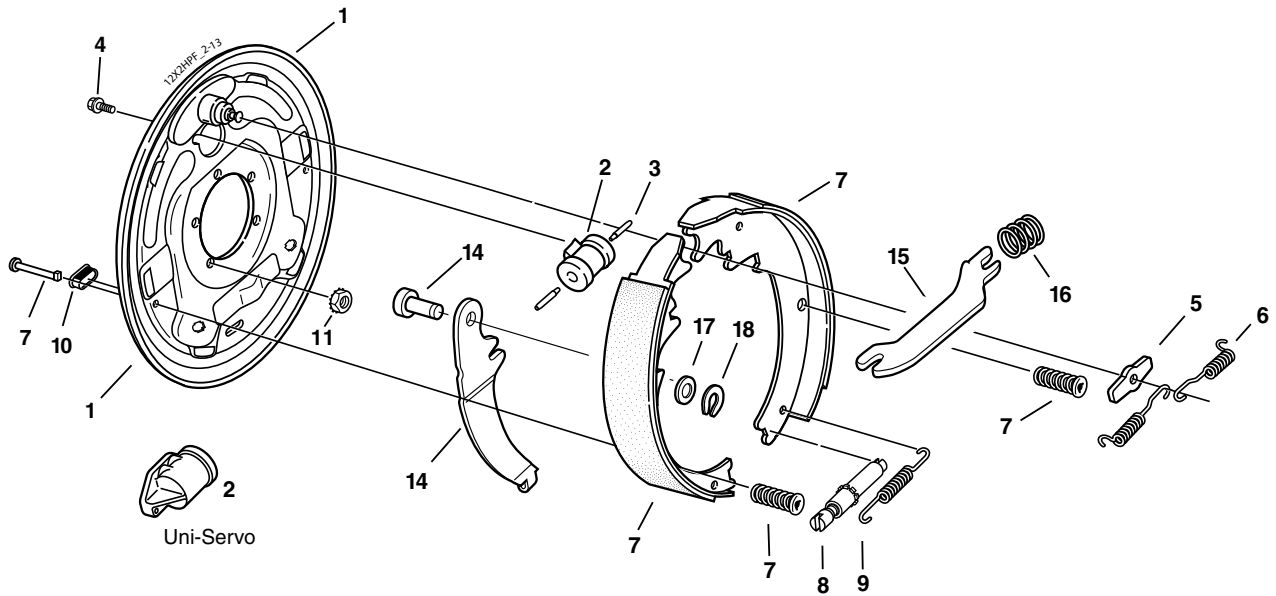
ns - not shown

* Not included with complete brake assembly. Item sold separately.

D52, D60 12" x 2" Hydraulic Brake With Parking Feature



4100 - 6000 LBS. CAPACITY



Note: Uni-Servo brakes to be used with surge actuator

Hydraulic Parking Brake 5200#

Item	Part No.	Qty/Brk	Description
0	K23-318-00	1	LH Complete Brake Assembly-DS
0	K23-319-00	1	RH Complete Brake Assembly-DS (shown)
0	K23-320-00	1	LH Complete Brake Assembly-US
0	K23-321-00	1	RH Complete Brake Assembly-US (shown)
1	036-093-19	1	LH Backing Plate Assembly
1	036-093-20	1	RH Backing Plate Assembly
2	054-062-00	1	LH Brake Cylinder Duo-Servo
2	054-063-00	1	RH Brake Cylinder Duo-Servo
2	054-064-00	1	LH Brake Cylinder Uni-Servo
2	054-065-00	1	RH Brake Cylinder Uni-Servo
3	054-060-00	1 or 2	Cylinder Push Rod US (1) DS (2)
4	087-001-00	2	Sems (screw & washer assembly)
5	005-113-00	1	Anchor Post Washer
6	046-101-00		Retractor Spring
7	K71-268-00	1	Shoe & Lining Kit Contains: 1 #040-204-00 Primary Shoe & Lining 1 #040-206-00 Secondary Shoe & Lining 2 #046-077-00 Shoe Hold Down Spring & Cup 2 #049-012-00 Shoe Hold Down Pin #4
8	043-029-00	1	Adjuster Assembly
9	046-102-00	1	Adjusting Screw Spring
10	046-007-00	1	Adjuster Slot Plug
*11	006-193-00	5	Nut Washer Assembly
14	047-110-01	1	LH Parking Lever and Pin
14	047-111-01	1	RH parking Lever and Pin
15	047-109-00	1	Parking Strut
16	046-103-00	1	Parking Strut Spring
17	005-112-00	1	Spring Tension Washer
18	069-055-00	1	Retainer
ns	054-089-00	1	Bleeder Screw (included with item #2)
*ns	071-515-00	1	Park Brake Cable

ns - not shown

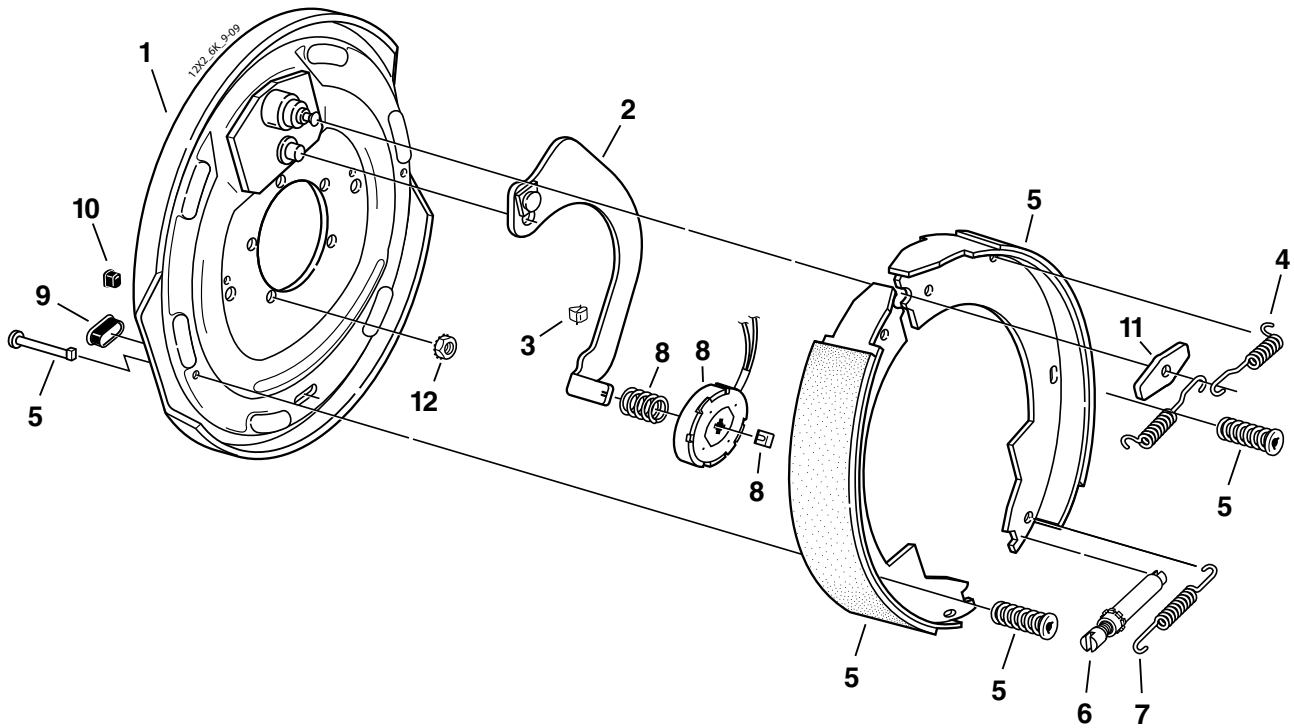
* Not included with complete brake assembly. Item sold separately.

12" x 2" Electric Brake



CSA approved at 6000#/14.2 SLR

5500 - 7000 LBS. CAPACITY



Electric Brake 6000# (CSA 5200#)

Item	Part No.	Qty/Brk	Description
0	K23-105-00	1	LH Complete Brake Assembly
0	K23-106-00	1	RH Complete Brake Assembly (shown)
1	036-089-10	1	Backing Plate Assembly
2	047-107-05	1	LH Actuating Lever Arm Assembly
2	047-108-05	1	RH Actuating Lever Arm Assembly
3	027-005-00	2	Wire Clip
4	046-009-00	2	Retractor Spring
5	K71-048-00	1	Shoe & Lining Kit Contains: 1 #040-044-00 Primary Shoe & Lining 1 #040-045-00 Secondary Shoe & Lining 2 #049-011-00 Shoe Hold Down Pin #2 2 #046-077-00 Shoe Hold Down Spring & Cup
6	043-004-00	1	Adjuster Assembly
7	046-018-00	1	Adjusting Screw Spring
8	K71-105-00	1	Magnet Kit Contains: 1 #042-144-00 Magnet (white wire) 1 #027-009-00 Magnet Clip 1 #046-080-00 Magnet Spring
9	046-007-00	2	Adjuster Slot Plug
10	046-016-00	1	Wire Grommet
11	005-067-00	1	Anchor Post Washer
*12	006-193-00	5	Nut Washer Assembly

* Not included with complete brake assembly. Item sold separately.

Electric Brake 6000# (CSA 6000#)

Item	Part No.	Qty/Brk	Description
0	K23-326-00	1	LH Complete Brake Assembly
0	K23-327-00	1	RH Complete Brake Assembly
1	036-089-10	1	Backing Plate Assembly
2	047-107-05	1	LH Actuating Lever Arm Assembly
2	047-108-05	1	RH Actuating Lever Arm Assembly
3	027-005-00	2	Wire Clip
4	046-009-00	2	Retractor Spring
5	K71-127-00	1	Shoe & Lining Kit Contains: 1 #040-215-00 Primary Shoe & Lining 1 #040-216-00 Secondary Shoe & Lining 2 #049-011-00 Shoe Hold Down Pin #2 2 #046-077-00 Shoe Hold Down Spring & Cup
6	043-004-00	1	Adjuster Assembly
7	046-018-00	1	Adjusting Screw Spring
8	K71-105-00	1	Magnet Kit Contains: 1 #042-144-00 Magnet (white wire) 1 #027-009-00 Magnet Clip 1 #046-080-00 Magnet Spring
9	046-007-00	2	Adjuster Slot Plug
10	046-016-00	1	Wire Grommet
11	005-067-00	1	Anchor Post Washer
*12	006-193-00	5	Nut Washer Assembly

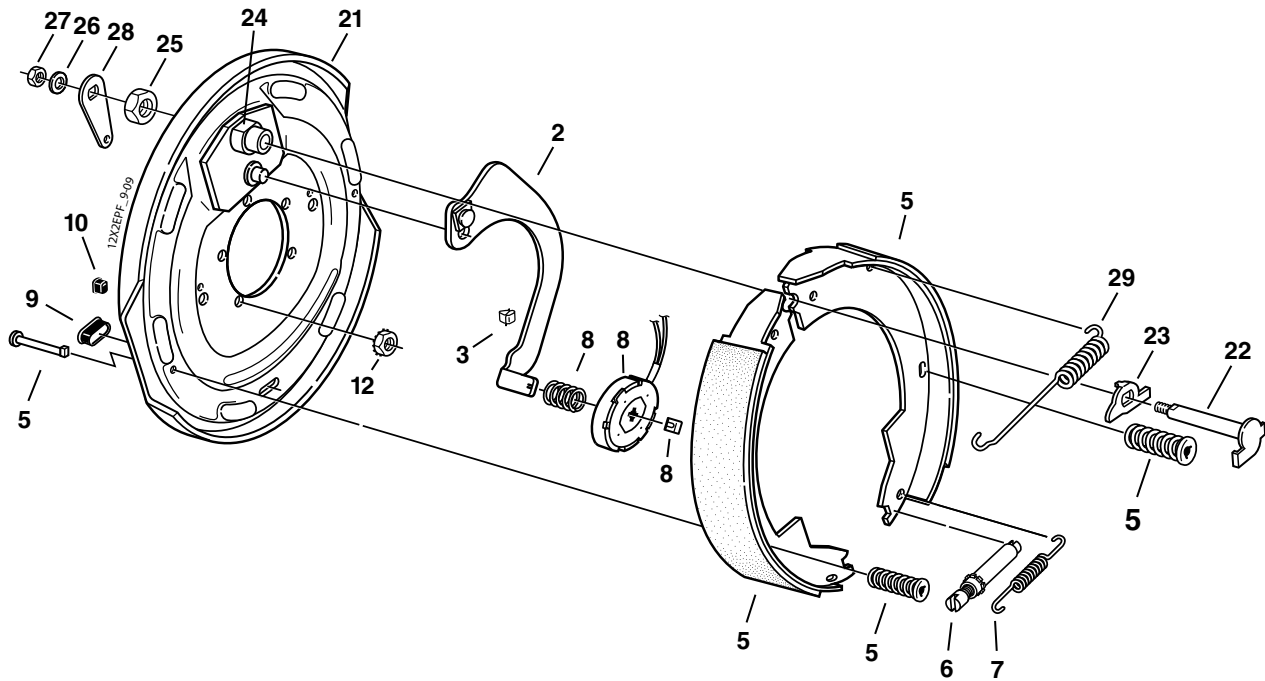
These brakes are rated to a maximum capacity of 6000 lbs. / pair

12" x 2" Electric Brake With Parking Feature



CSA approved at 6000#/14.2 SLR

5500 - 7000 LBS. CAPACITY



Electric Parking Brake 6000# (CSA 5200#)

Item	Part No.	Qty/Brk	Description
0	K23-112-00	1	LH Complete Brake Assembly
0	K23-113-00	1	RH Complete Brake Assembly (shown)
2	047-107-05	1	LH Actuating Lever Arm Assembly
2	047-108-05	1	RH Actuating Lever Arm Assembly
3	027-005-00	2	Wire Clip
5	K71-048-00	1	Shoe & Lining Kit Contains: 1 #040-044-00 Primary Shoe & Lining 1 #040-045-00 Secondary Shoe & Lining 2 #049-011-00 Shoe Hold Down Pin #2 2 #046-077-00 Shoe Hold Down Spring & Cup
6	043-004-00	1	Adjuster Assembly
7	046-018-00	1	Adjusting Screw Spring
8	K71-105-00	1	Magnet Kit Contains: 1 #042-144-00 Magnet (white wire) 1 #027-009-00 Magnet Clip 1 #046-080-00 Magnet Spring
9	046-007-00	2	Adjuster Slot Plug
10	046-016-00	1	Wire Grommet
*12	006-193-00	5	Nut Washer Assembly
20	036-089-08	1	LH Backing Plate Assembly Complete (includes #21-28)
20	036-089-09	1	RH Backing Plate Assembly Complete (includes #21-28)
21	036-089-06	1	LH Backing Plate Assembly
21	036-089-07	1	RH Backing Plate Assembly
22	039-025-00	1	LH Pivot Pin & Cam Sub-Assembly
22	039-026-00	1	RH Pivot Pin & Cam Sub-Assembly
23	039-048-00	1	LH Actuating Cam
23	039-049-00	1	RH Actuating Cam
24	038-068-00	1	Anchor Post & Bushing Sub-Assembly
25	006-047-00	1	Anchor Post Locknut
26	005-041-00	1	Washer
27	006-011-00	1	Pivot Pin Locknut
28	047-070-00	1	Parking Brake Lever
29	046-005-00	1	Retractor Spring

* Not included with complete brake assembly. Item sold separately.

Electric Parking Brake 6000# (CSA 6000#)

Item	Part No.	Qty/Brk	Description
0	K23-328-00	1	LH Complete Brake Assembly
0	K23-329-00	1	RH Complete Brake Assembly
2	047-107-05	1	LH Actuating Lever Arm Assembly
2	047-108-05	1	RH Actuating Lever Arm Assembly
3	027-005-00	2	Wire Clip
5	K71-127-00	1	Shoe & Lining Kit Contains: 1 #040-215-00 Primary Shoe & Lining 1 #040-216-00 Secondary Shoe & Lining 2 #049-011-00 Shoe Hold Down Pin #2 2 #046-077-00 Shoe Hold Down Spring & Cup
6	043-004-00	1	Adjuster Assembly
7	046-018-00	1	Adjusting Screw Spring
8	K71-105-00	1	Magnet Kit Contains: 1 #042-144-00 Magnet (white wire) 1 #027-009-00 Magnet Clip 1 #046-080-00 Magnet Spring
9	046-007-00	2	Adjuster Slot Plug
10	046-016-00	1	Wire Grommet
*12	006-193-00	5	Nut Washer Assembly
20	036-089-08	1	LH Backing Plate Assembly Complete (includes #21-28)
20	036-089-09	1	RH Backing Plate Assembly Complete (includes #21-28)
21	036-089-06	1	LH Backing Plate Assembly
21	036-089-07	1	RH Backing Plate Assembly
22	039-025-00	1	LH Pivot Pin & Cam Sub-Assembly
22	039-026-00	1	RH Pivot Pin & Cam Sub-Assembly
23	039-048-00	1	LH Actuating Cam
23	039-049-00	1	RH Actuating Cam
24	038-068-00	1	Anchor Post & Bushing Sub-Assembly
25	006-047-00	1	Anchor Post Locknut
26	005-041-00	1	Washer
27	006-011-00	1	Pivot Pin Locknut
28	047-070-00	1	Parking Brake Lever
29	046-005-00	1	Retractor Spring

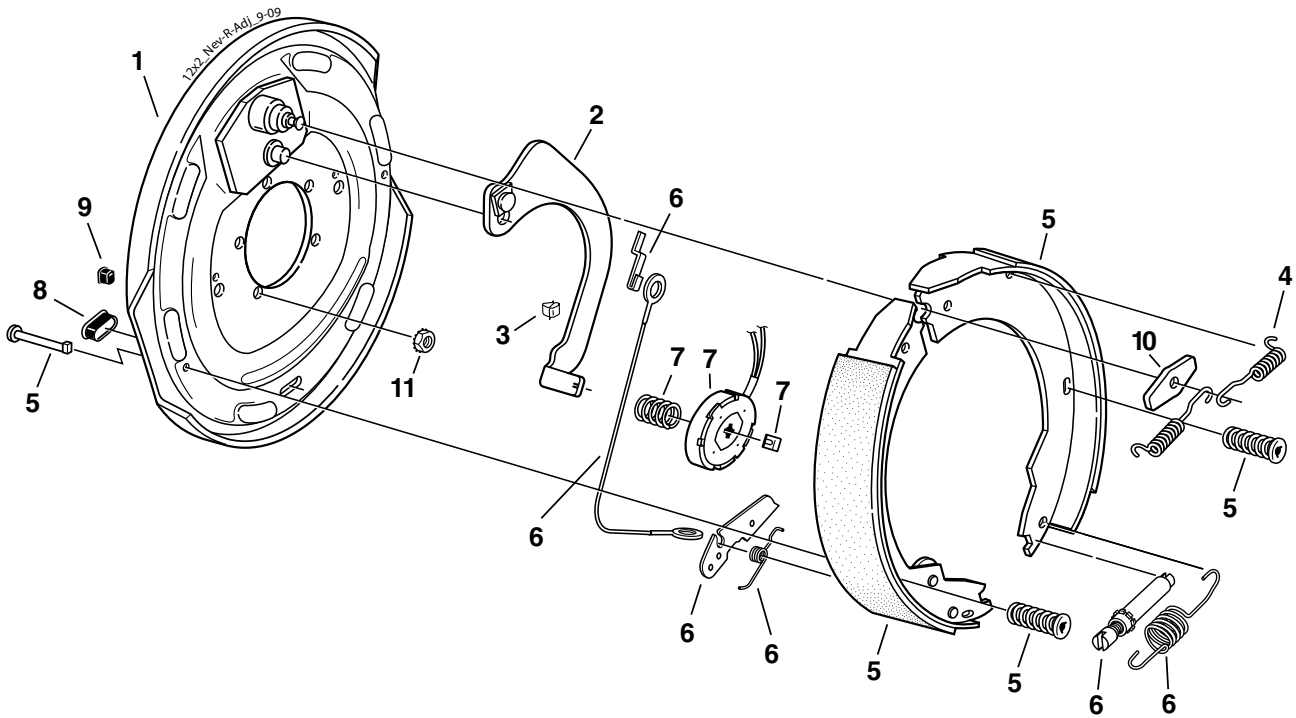
These brakes are rated to a maximum capacity of 6000 lbs. / pair

12" x 2" Nev-R-Adjust® Electric Brake



CSA approved at 6000#/14.2 SLR

5500 - 7000 LBS. CAPACITY



Electric Brake 6000#

Item	Part No.	Qty/Brk	Description
0	K23-458-00	1	LH Complete Brake Assembly
0	K23-459-00	1	RH Complete Brake Assembly (shown)
1	036-089-10	1	Backing Plate Assembly
2	047-107-05	1	LH Actuating Lever Arm Assembly
2	047-108-05	1	RH Actuating Lever Arm Assembly
3	027-005-00	2	Wire Clip
4	046-009-00	2	Retractor Spring
5	K71-673-00	1	LH Shoe & Lining Kit Contains:
	1 #040-044-00		Primary Shoe & Lining
	1 #040-045-03		Secondary Shoe & Lining
	2 #049-011-00		Shoe Hold Down Pin #2
	2 #046-077-00		Shoe Hold Down Spring & Cup
5	K71-674-00	1	RH Shoe & Lining Kit Contains:
	1 #040-044-00		Primary Shoe & Lining
	1 #040-045-04		Secondary Shoe & Lining
	2 #049-011-00		Shoe Hold Down Pin #2
	2 #046-077-00		Shoe Hold Down Spring & Cup
6	K71-679-00	1	LH & RH Brake Adjuster Kit Contains:
	2 #046-139-00		Adjusting Screw Spring
	1 #046-140-00		LH Lever Spring
	1 #046-141-00		RH Lever Spring
	1 #048-022-00		LH Adjuster Assembly
	1 #048-023-00		RH Adjuster Assembly
	2 #071-528-00		Adjuster Cable
	2 #071-529-00		Hook for Cable
	1 #071-530-01		LH Adjusting Lever
	1 #071-530-02		RH Adjusting Lever
7	K71-105-00	1	Magnet Kit Contains:
	1 #042-144-00		Magnet (white wire)
	1 #027-009-00		Magnet Clip
	1 #046-080-00		Magnet Spring
8	046-007-00	2	Adjuster Slot Plug
9	046-016-00	1	Wire Grommet
10	005-067-00	1	Anchor Post Washer
*11	006-193-00	5	Nut Washer Assembly

* Not included with complete brake assembly. Item sold separately.

Electric Brake 6000# (CSA 6000#)

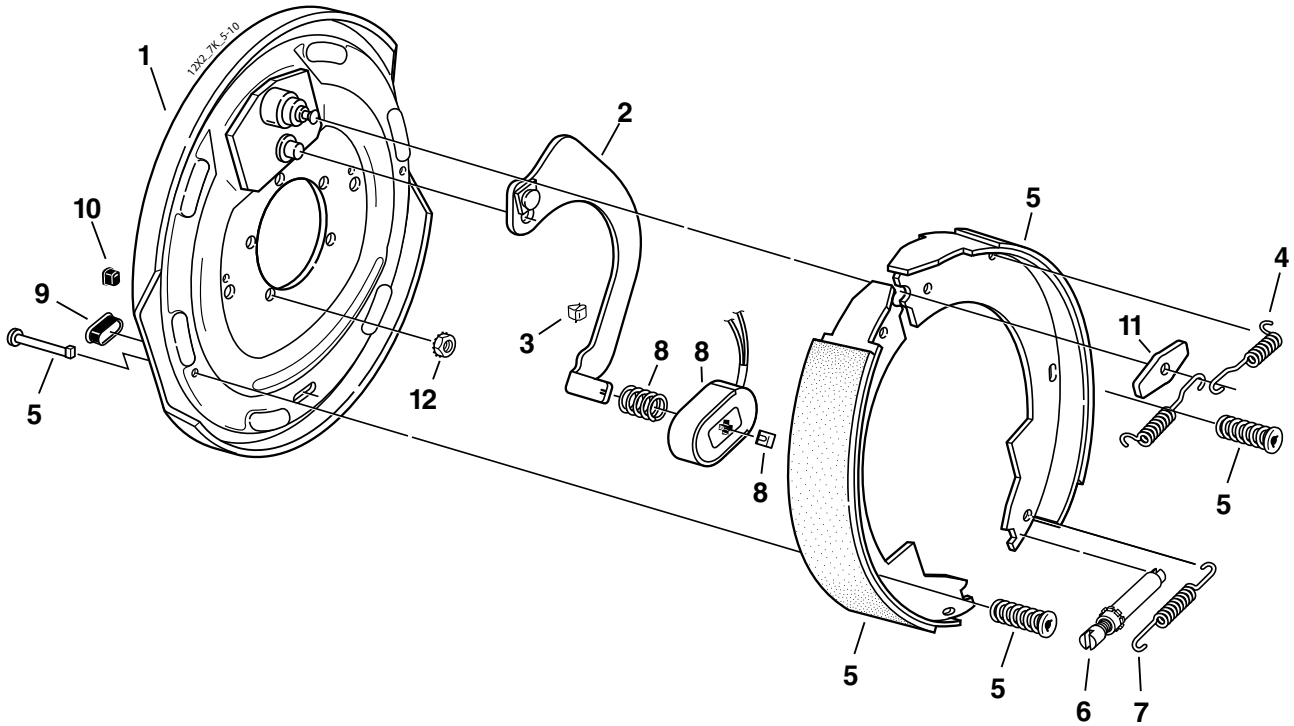
Item	Part No.	Qty/Brk	Description
0	K23-466-00	1	LH Complete Brake Assembly
0	K23-467-00	1	RH Complete Brake Assembly (shown)
1	036-089-10	1	Backing Plate Assembly
2	047-107-05	1	LH Actuating Lever Arm Assembly
2	047-108-05	1	RH Actuating Lever Arm Assembly
3	027-005-00	2	Wire Clip
4	046-009-00	2	Retractor Spring
5	K71-675-00	1	LH Shoe & Lining Kit Contains:
	1 #040-215-00		Primary Shoe & Lining
	1 #040-216-01		Secondary Shoe & Lining
	2 #049-011-00		Shoe Hold Down Pin #2
	2 #046-077-00		Shoe Hold Down Spring & Cup
5	K71-676-00	1	RH Shoe & Lining Kit Contains:
	1 #040-215-00		Primary Shoe & Lining
	1 #040-216-02		Secondary Shoe & Lining
	2 #049-011-00		Shoe Hold Down Pin #2
	2 #046-077-00		Shoe Hold Down Spring & Cup
6	K71-679-00	1	LH & RH Brake Adjuster Kit Contains:
	2 #046-139-00		Adjusting Screw Spring
	1 #046-140-00		LH Lever Spring
	1 #046-141-00		RH Lever Spring
	1 #048-022-00		LH Adjuster Assembly
	1 #048-023-00		RH Adjuster Assembly
	2 #071-528-00		Adjuster Cable
	2 #071-529-00		Hook for Cable
	1 #071-530-01		LH Adjusting Lever
	1 #071-530-02		RH Adjusting Lever
7	K71-105-00	1	Magnet Kit Contains:
	1 #042-144-00		Magnet (white wire)
	1 #027-009-00		Magnet Clip
	1 #046-080-00		Magnet Spring
8	046-007-00	2	Adjuster Slot Plug
9	046-016-00	1	Wire Grommet
10	005-067-00	1	Anchor Post Washer
*11	006-193-00	5	Nut Washer Assembly

12" x 2" 7K Electric Brake



CSA approved at 7000#/13.8 SLR

5500 - 7000 LBS. CAPACITY



Electric Brake 7000#

Item	Part No.	Qty/Brk	Description
0	K23-180-00	1	LH Complete Brake Assembly
0	K23-181-00	1	RH Complete Brake Assembly (shown)
1	036-089-10	1	Backing Plate Assembly
2	047-107-05	1	LH Actuating Lever Arm Assembly
2	047-108-05	1	RH Actuating Lever Arm Assembly
3	027-005-00	2	Wire Clip
4	046-009-00	2	Retractor Spring
5	K71-127-00	1	Shoe & Lining Kit Contains: 1 #040-215-00 Primary Shoe & Lining 1 #040-216-00 Secondary Shoe & Lining 2 #049-011-00 Shoe Hold Down Pin #2 2 #046-077-00 Shoe Hold Down Spring & Cup
6	043-004-00	1	Adjuster Assembly
7	046-018-00	1	Adjusting Screw Spring
8	K71-125-00	1	Magnet Kit Contains: 1 #042-143-00 Magnet (black wire) 1 #027-009-00 Magnet Clip 1 #046-080-00 Magnet Spring
9	046-007-00	2	Adjuster Slot Plug
10	046-016-00	1	Wire Grommet
11	005-067-00	1	Anchor Post Washer
*12	006-193-00	5	Nut Washer Assembly

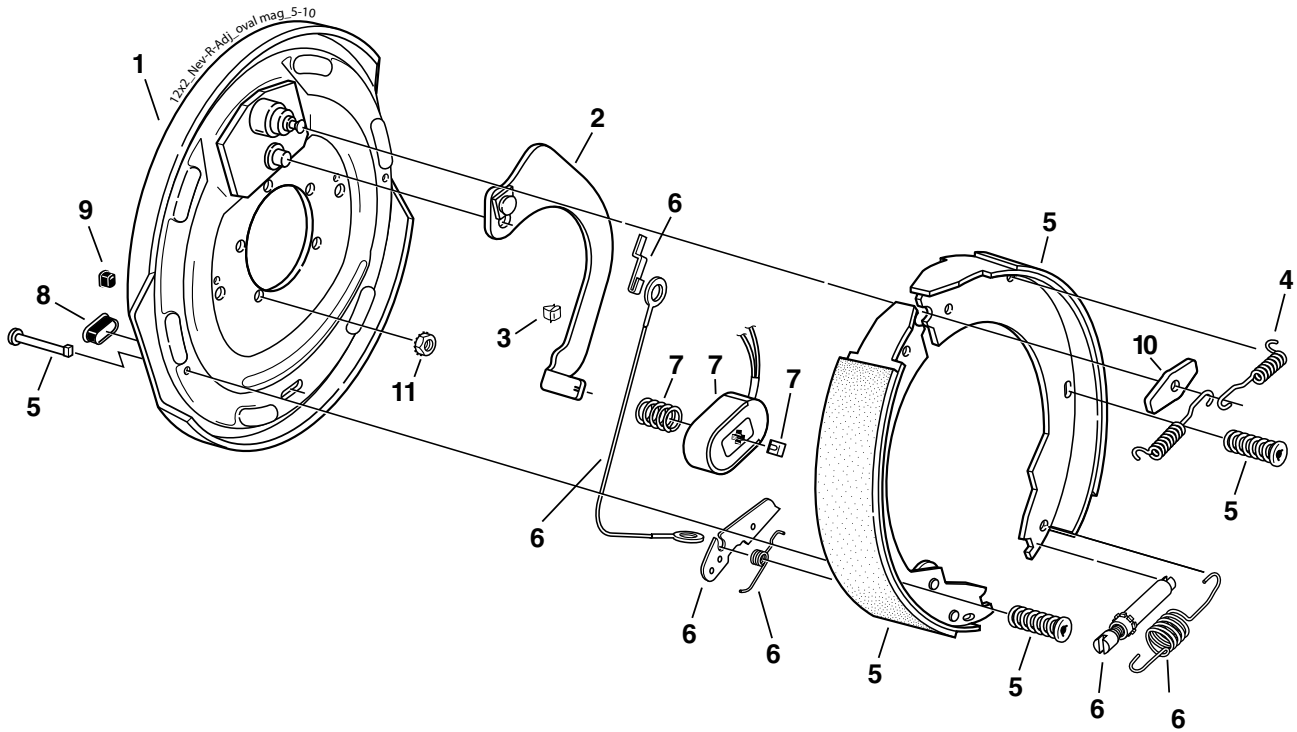
* Not included with complete brake assembly. Item sold separately.

12" x 2" 7K Nev-R-Adjust® Electric Brake



CSA approved at 7000#/13.8 SLR

5500 - 7000 LBS. CAPACITY



Electric Brake 7000#

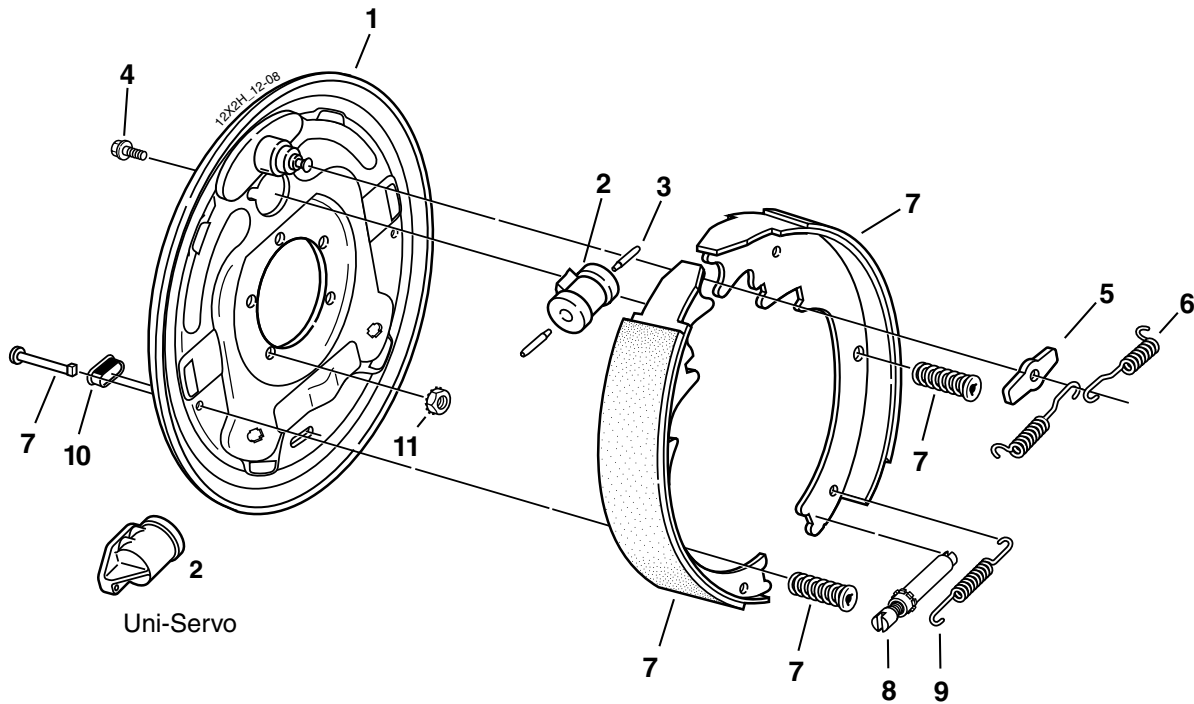
Item	Part No.	Qty/Brk	Description
0	K23-464-00	1	LH Complete Brake Assembly
0	K23-465-00	1	RH Complete Brake Assembly (shown)
1	036-089-10	1	Backing Plate Assembly
2	047-107-05	1	LH Actuating Lever Arm Assembly
2	047-108-05	1	RH Actuating Lever Arm Assembly
3	027-005-00	2	Wire Clip
4	046-009-00	2	Retractor Spring
5	K71-675-00	1	LH Shoe & Lining Kit Contains:
	1 #040-215-00		Primary Shoe & Lining
	1 #040-216-01		Secondary Shoe & Lining
	2 #049-011-00		Shoe Hold Down Pin #2
	2 #046-077-00		Shoe Hold Down Spring & Cup
5	K71-676-00	1	RH Shoe & Lining Kit Contains:
	1 #040-215-00		Primary Shoe & Lining
	1 #040-216-02		Secondary Shoe & Lining
	2 #049-011-00		Shoe Hold Down Pin #2
	2 #046-077-00		Shoe Hold Down Spring & Cup
6	K71-679-00	1	LH & RH Brake Adjuster Kit Contains:
	2 #046-139-00		Adjusting Screw Spring
	1 #046-140-00		LH Lever Spring
	1 #046-141-00		RH Lever Spring
	1 #048-022-00		LH Adjuster Assembly
	1 #048-023-00		RH Adjuster Assembly
	2 #071-528-00		Adjuster Cable
	2 #071-529-00		Hook for Cable
	1 #071-530-01		LH Adjusting Lever
	1 #071-530-02		RH Adjusting Lever
7	K71-125-00	1	Magnet Kit Contains:
	1 #042-143-00		Magnet (black wire)
	1 #027-009-00		Magnet Clip
	1 #046-080-00		Magnet Spring
8	046-007-00	2	Adjuster Slot Plug
9	046-016-00	1	Wire Grommet
10	005-067-00	1	Anchor Post Washer
*11	006-193-00	5	Nut Washer Assembly

* Not included with complete brake assembly. Item sold separately.

12" x 2" Hydraulic Brake



5500 - 7000 LBS. CAPACITY



Note: Uni-Servo brakes to be used with surge actuator

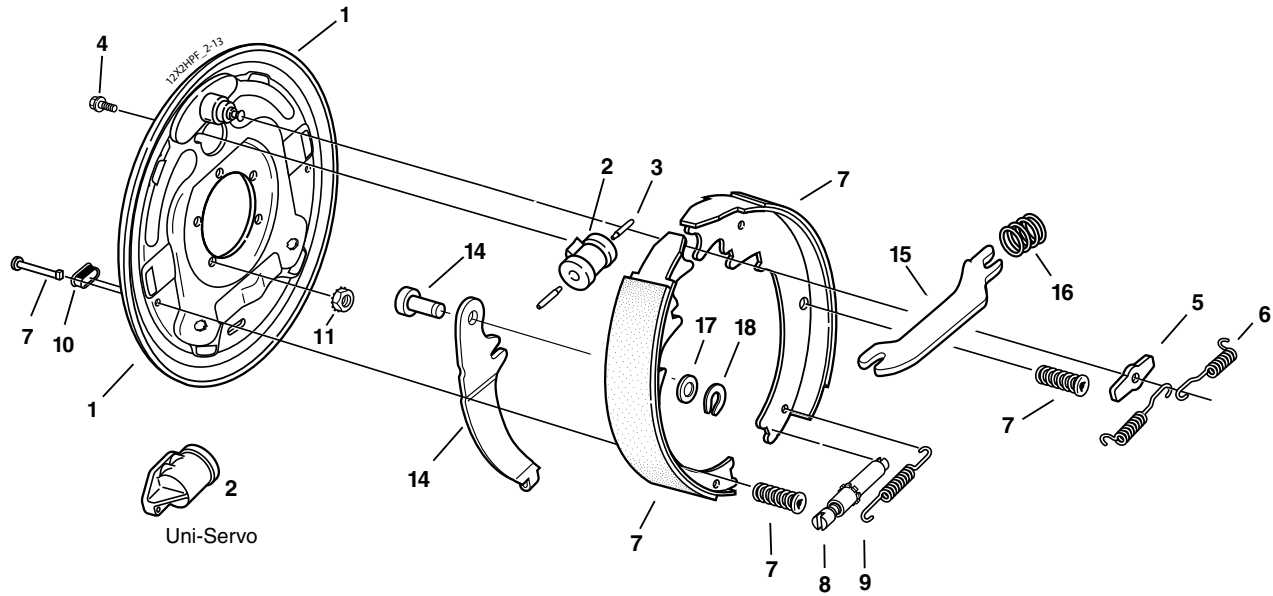
Hydraulic Brake 7000#

Item	Part No.	Qty/Brk	Description
0	K23-338-00	1	LH Complete Brake Assembly-US
0	K23-339-00	1	RH Complete Brake Assembly-US (shown)
0	K23-336-00	1	LH Complete Brake Assembly-DS
0	K23-337-00	1	RH Complete Brake Assembly-DS (shown)
1	036-093-08	1	Backing Plate Assembly
2	054-064-00	1	LH Brake Cylinder Uni-Servo
2	054-065-00	1	RH Brake Cylinder Uni-Servo
2	054-062-00	1	LH Brake Cylinder Duo-Servo
2	054-063-00	1	RH Brake Cylinder Duo-Servo
3	054-060-00	1 or 2	Cylinder Push Rod US (1) DS (2)
4	087-001-00	2	Sems (screw & washer assembly)
5	005-113-00	1	Anchor Post Washer
6	046-101-00	2	Retractor Spring
7	K71-269-00	1	LH Shoe & Lining Kit Contains: 1 #040-219-00 LH Primary Shoe & Lining 1 #040-218-02 LH Secondary Shoe & Lining 2 #046-077-00 Shoe Hold Down Spring & Cup 2 #049-012-00 Shoe Hold Down Pin #4
7	K71-270-00	1	RH Shoe & Lining Kit Contains: 1 #040-219-00 RH Primary Shoe & Lining 1 #040-218-01 RH Secondary Shoe & Lining 2 #046-077-00 Shoe Hold Down Spring & Cup 2 #049-012-00 Shoe Hold Down Pin #4
8	043-029-00	1	Adjuster Assembly
9	046-102-00	1	Adjusting Screw Spring
10	046-007-00	1	Adjuster Slot Plug
*11	006-193-00	5	Nut Washer Assembly
ns	054-089-00	1	Bleeder Screw (included with item #2)

ns - not shown

* Not included with complete brake assembly. Item sold separately.

12" x 2" Hydraulic Brake With Parking Feature



Note: Uni-Servo brakes to be used with surge actuator

Hydraulic Parking Brake 7000#

Item	Part No.	Qty/Brk	Description
0	K23-332-00	1	LH Complete Brake Assembly-DS
0	K23-333-00	1	RH Complete Brake Assembly-DS (shown)
0	K23-334-00	1	LH Complete Brake Assembly-US
0	K23-335-00	1	RH Complete Brake Assembly-US (shown)
1	036-093-15	1	LH Backing Plate Assembly
1	036-093-16	1	RH Backing Plate Assembly
2	054-062-00	1	LH Brake Cylinder Duo-Servo
2	054-063-00	1	RH Brake Cylinder Duo-Servo
2	054-064-00	1	LH Brake Cylinder Uni-Servo
2	054-065-00	1	RH Brake Cylinder Uni-Servo
3	054-060-00	1 or 2	Cylinder Push Rod US (1) DS (2)
4	087-001-00	2	Sems (screw & washer assembly)
5	005-113-00	1	Anchor Post Washer
6	046-101-00	2	Retractor Spring
7	K71-269-00	1	LH Shoe & Lining Kit Contains: 1 #040-219-00 Primary Shoe & Lining 1 #040-218-02 Secondary Shoe & Lining 2 #046-077-00 Shoe Hold Down Spring & Cup 2 #049-012-00 Shoe Hold Down Pin #4
7	K71-270-00	1	RH Shoe & Lining Kit Contains: 1 #040-219-00 Primary Shoe & Lining 1 #040-218-01 Secondary Shoe & Lining 2 #046-077-00 Shoe Hold Down Spring & Cup 2 #049-012-00 Shoe Hold Down Pin #4
8	043-029-00	1	Adjuster Assembly
9	046-102-00	1	Adjusting Screw Spring
10	046-007-00	1	Adjuster Slot Plug
*11	006-193-00	5	Nut Washer Assembly
14	047-110-01	1	LH Parking Lever and Pin
14	047-111-01	1	RH parking Lever and Pin
15	047-109-00	1	Parking Strut
16	046-103-00	1	Parking Strut Spring
17	005-112-00	1	Spring Tension Washer
18	069-055-00	1	Retainer
ns	054-089-00	1	Bleeder Screw (included with item #2)
*ns	071-515-00	1	Park Brake Cable

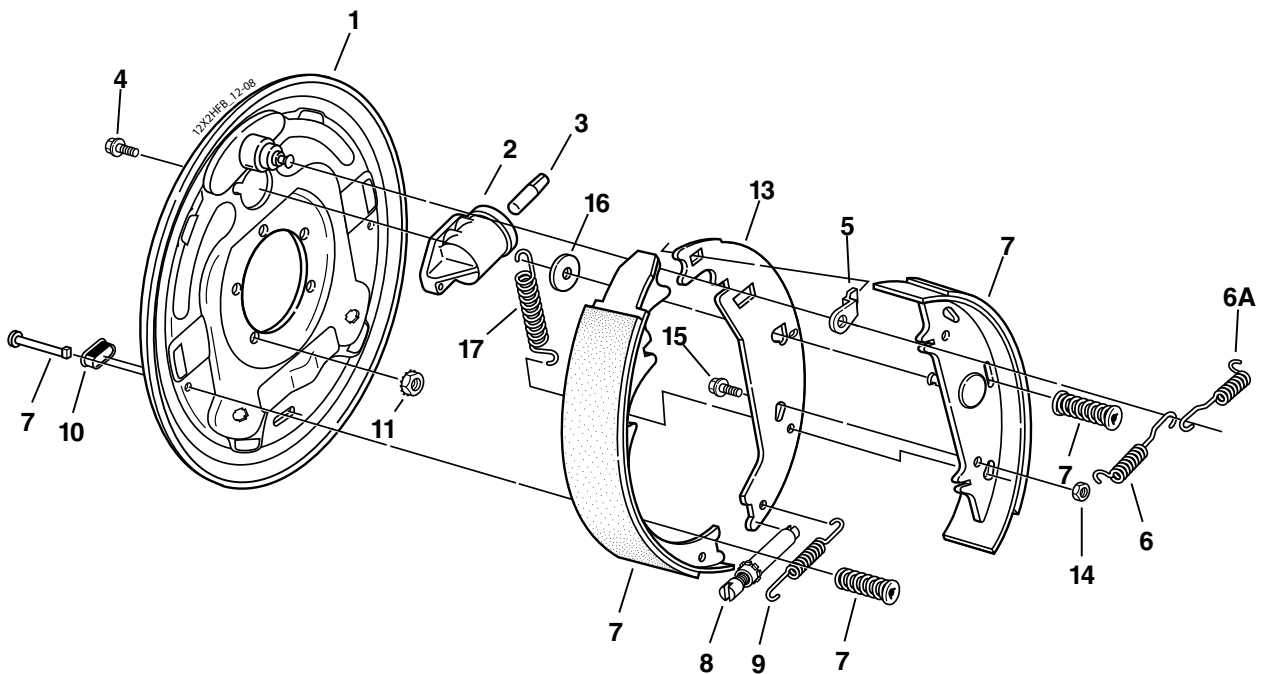
ns - not shown

* Not included with complete brake assembly. Item sold separately.

12" x 2" Hydraulic Brake Free Backing



5500 - 7000 LBS. CAPACITY



Note: Uni-Servo brakes to be used with surge actuator

Hydraulic Free Backing Brake

Item	Part No.	Qty/Brk	Description
0	K23-342-00	1	LH Complete Brake Assembly
0	K23-343-00	1	RH Complete Brake Assembly (shown)
1	036-093-08	1	Backing Plate Assembly
2	054-064-00	1	LH Brake Cylinder Uni-Servo
2	054-065-00	1	RH Brake Cylinder Uni-Servo
3	054-060-00	1	Cylinder Push Rod
4	087-001-00	2	Sems (screw & washer assembly)
5	037-069-02	1	Travel Link
6	046-101-00	1	Retractor Spring
6A	046-107-01	1	Shoe Lever Return Spring
7	K71-394-00	1	LH Shoe & Lining Kit Contains: 1 #040-243-08 LH Primary Shoe & Lining 1 #040-315-02 LH Secondary Shoe & Lining 1 #046-077-00 Shoe Hold Down Spring & Cup-Sec. 2 #035-001-00 Shoe Hold Down Cup-Primary 1 #046-006-00 Shoe Hold Down Spring-Primary 1 #049-013-00 Shoe Hold Down Pin #1-Primary 1 #049-002-00 Shoe Hold Down Pin #8-Sec.
7	K71-395-00	1	RH Shoe & Lining Kit Contains: 1 #040-243-09 RH Primary Shoe & Lining 1 #040-315-01 RH Secondary Shoe & Lining 1 #046-077-00 Shoe Hold Down Spring & Cup-Sec. 2 #035-001-00 Shoe Hold Down Cup-Primary 1 #046-006-00 Shoe Hold Down Spring-Primary 1 #049-013-00 Shoe Hold Down Pin #1-Primary 1 #049-002-00 Shoe Hold Down Pin #8-Sec.
8	043-028-00	1	Adjuster Assembly
9	046-123-00	1	Adjusting Screw Spring
10	046-007-00	1	Adjuster Slot Plug
*11	006-193-00	5	Nut Washer Assembly
13	040-244-01	1	Shoe Lever
14	006-011-00	1	Locknut
15	007-210-00	1	Screw
16	005-064-00	1	Washer
17	046-108-01	1	Primary Shoe Return Spring
ns	054-089-00	1	Bleeder Screw (included with item #2)

ns - not shown

* Not included with complete brake assembly. Item sold separately.

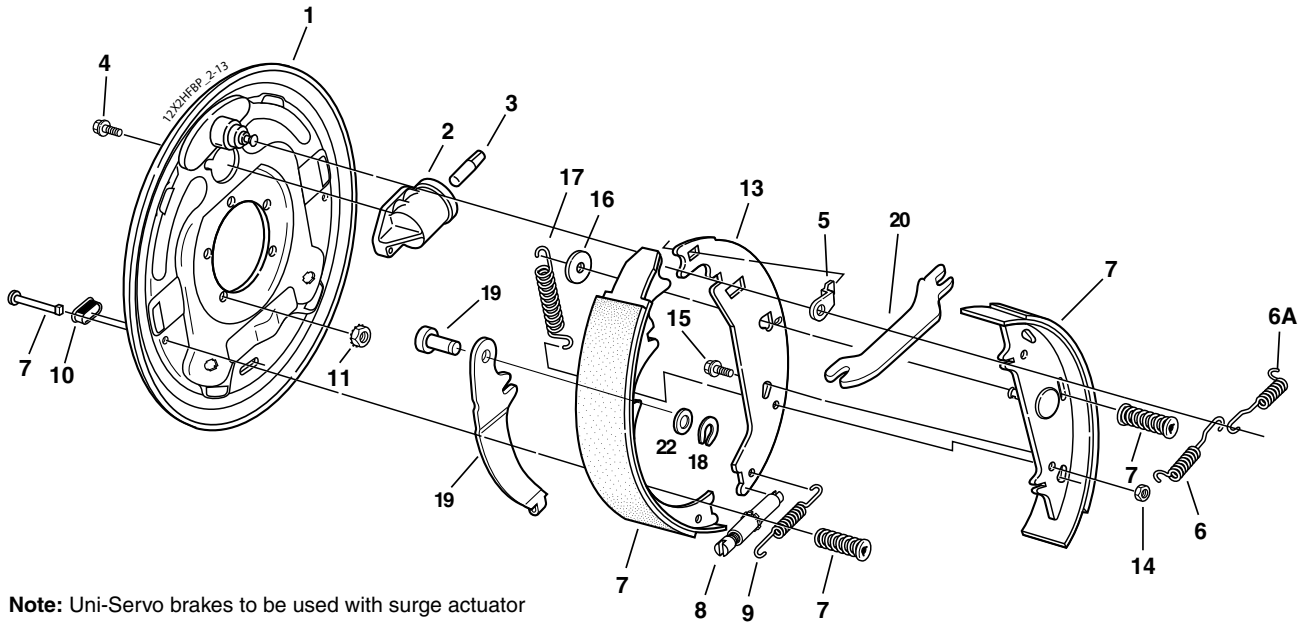
Hydraulic Free Backing Brake Corrosion Resistant

Item	Part No.	Qty/Brk	Description
0	K23-342-01	1	LH Complete Brake Assembly
0	K23-343-01	1	RH Complete Brake Assembly
1	036-093-09	1	Backing Plate Assembly
2	054-064-01	1	LH Brake Cylinder Uni-Servo
2	054-065-01	1	RH Brake Cylinder Uni-Servo
3	054-060-00	1	Cylinder Push Rod
4	087-001-00	2	Sems (screw & washer assembly)
5	037-069-02	1	Travel Link
6	046-101-00	1	Retractor Spring
6A	046-107-03	1	Shoe Lever Return Spring
7	K71-427-00	1	LH Shoe & Lining Kit Contains: 1 #040-243-06 LH Primary Shoe & Lining 1 #040-315-06 LH Secondary Shoe & Lining 1 #046-077-01 Shoe Hold Down Spring & Cup-Sec. 2 #035-001-00 Shoe Hold Down Cup-Primary 1 #046-006-01 Shoe Hold Down Spring & Cup-Prim. 1 #049-013-00 Shoe Hold Down Pin #1-Primary 1 #049-002-00 Shoe Hold Down Pin #8-Sec.
7	K71-428-00	1	RH Shoe & Lining Kit Contains: 1 #040-243-07 RH Primary Shoe & Lining 1 #040-315-05 RH Secondary Shoe & Lining 1 #046-077-01 Shoe Hold Down Spring & Cup-Sec. 2 #035-001-00 Shoe Hold Down Cup-Primary 1 #046-006-01 Shoe Hold Down Spring & Cup-Prim. 1 #049-013-00 Shoe Hold Down Pin #1-Primary 1 #049-002-00 Shoe Hold Down Pin #8-Sec.
8	043-028-00	1	Adjuster Assembly
9	046-123-01	1	Adjusting Screw Spring
10	046-007-00	1	Adjuster Slot Plug
*11	006-193-00	5	Nut Washer Assembly
13	040-244-02	1	Shoe Lever
14	006-011-00	1	Locknut
15	007-210-00	1	Screw
16	005-064-00	1	Washer
17	046-108-03	1	Primary Shoe Return Spring
ns	054-089-00	1	Bleeder Screw (included with item #2)

12" x 2" Hydraulic Brake Free Backing With Parking Feature



5500 - 7000 LBS. CAPACITY



Note: Uni-Servo brakes to be used with surge actuator

Hydraulic Free Backing Parking Brake

Item	Part No.	Qty/Brk	Description
0	K23-340-00	1	LH Complete Brake Assembly
0	K23-341-00	1	RH Complete Brake Assembly (shown)
1	036-093-15	1	LH Backing Plate Assembly
1	036-093-16	1	RH Backing Plate Assembly
2	054-064-00	1	LH Brake Cylinder Uni-Servo
2	054-065-00	1	RH Brake Cylinder Uni-Servo
3	054-060-00	1	Cylinder Push Rod
4	087-001-00	2	Sems (screw & washer assembly)
5	037-069-02	1	Travel Link
6	046-101-00	1	Retractor Spring
6A	046-107-01	1	Shoe Lever Return Spring
7	K71-394-00	1	LH Shoe & Lining Kit Contains: 1 #040-243-08 LH Primary Shoe & Lining 1 #040-315-02 LH Secondary Shoe & Lining 1 #046-077-00 Shoe Hold Down Spring & Cup-Sec. 2 #035-001-00 Shoe Hold Down Cup-Primary 1 #046-006-00 Shoe Hold Down Spring-Primary 1 #049-013-00 Shoe Hold Down Pin #1-Primary 1 #049-002-00 Shoe Hold Down Pin #8-Sec.
7	K71-395-00	1	RH Shoe & Lining Kit Contains: 1 #040-243-09 RH Primary Shoe & Lining 1 #040-315-01 RH Secondary Shoe & Lining 1 #046-077-00 Shoe Hold Down Spring & Cup-Sec. 2 #035-001-00 Shoe Hold Down Cup-Primary 1 #046-006-00 Shoe Hold Down Spring-Primary 1 #049-013-00 Shoe Hold Down Pin #1-Primary 1 #049-002-00 Shoe Hold Down Pin #8-Sec.
8	043-028-00	1	Adjuster Assembly
9	046-123-00	1	Adjusting Screw Spring
10	046-007-00	1	Adjuster Slot Plug
*11	006-193-00	5	Nut Washer Assembly
13	040-244-01	1	Shoe Lever
14	006-011-00	1	Locknut
15	007-210-00	1	Screw
16	005-064-00	1	Washer
17	046-108-01	1	Primary Shoe Return Spring
18	069-055-00	1	Retainer
19	047-110-01	1	LH Parking Lever and Pin
19	047-111-01	1	RH Parking Lever and Pin
20	047-119-01	1	Strut for Parking Brake
22	005-112-00	1	Washer
ns	054-089-00	1	Bleeder Screw (included with item #2)
*ns	071-515-00	1	Park Brake Cable

ns - not shown

* Not included with complete brake assembly. Item sold separately.

Hydraulic Free Backing Parking Brake Corrosion Resistant

Item	Part No.	Qty/Brk	Description
0	K23-340-01	1	LH Complete Brake Assembly
0	K23-341-01	1	RH Complete Brake Assembly
1	036-093-17	1	LH Backing Plate Assembly
1	036-093-18	1	RH Backing Plate Assembly
2	054-064-01	1	LH Brake Cylinder Uni-Servo
2	054-065-01	1	RH Brake Cylinder Uni-Servo
3	054-060-00	1	Cylinder Push Rod
4	087-001-00	2	Sems (screw & washer assembly)
5	037-069-02	1	Travel Link
6	046-101-00	1	Retractor Spring
6A	046-107-03	1	Shoe Lever Return Spring
7	K71-427-00	1	LH Shoe & Lining Kit Contains: 1 #040-243-06 LH Primary Shoe & Lining 1 #040-315-06 LH Secondary Shoe & Lining 1 #046-077-01 Shoe Hold Down Spring & Cup-Sec. 2 #035-001-00 Shoe Hold Down Cup-Primary 1 #046-006-01 Shoe Hold Down Spring-Primary 1 #049-013-00 Shoe Hold Down Pin #1-Primary 1 #049-002-00 Shoe Hold Down Pin #8-Sec.
7	K71-428-00	1	RH Shoe & Lining Kit Contains: 1 #040-243-07 RH Primary Shoe & Lining 1 #040-315-05 RH Secondary Shoe & Lining 1 #046-077-01 Shoe Hold Down Spring & Cup-Sec. 2 #035-001-00 Shoe Hold Down Cup-Primary 1 #046-006-01 Shoe Hold Down Spring-Primary 1 #049-013-00 Shoe Hold Down Pin #1-Primary 1 #049-002-00 Shoe Hold Down Pin #8-Sec.
8	043-028-00	1	Adjuster Assembly
9	046-123-01	1	Adjusting Screw Spring
10	046-007-00	1	Adjuster Slot Plug
*11	006-193-00	5	Nut Washer Assembly
13	040-244-02	1	Shoe Lever
14	006-011-00	1	Locknut
15	007-210-00	1	Screw
16	005-064-00	1	Washer
17	046-108-03	1	Primary Shoe Return Spring
18	069-055-00	1	Retainer
19	047-110-01	1	LH Parking Lever and Pin
19	047-111-01	1	RH Parking Lever and Pin
20	047-119-01	1	Strut for Parking Brake
22	005-112-00	1	Washer
ns	054-089-00	1	Bleeder Screw (included with item #2)