



HYDRAULIC DISC BRAKES

Your life could depend on you making the right selection on a trailer braking system. The AL-KO Hydraulic Brake Discs and Brake Calipers should be your number one choice for peace of mind braking.

The AL-KO Hydraulic Disc Braking combination is easily installed, maintained and will perform in the harshest of conditions.

AL-KO Hydraulic Brake Discs & Calipers have a stopping capacity of 1600kg on 14" wheels and are tested to 200,000 cycles under AL-KO's strict quality control procedures to ensure superior, proven performance with maximum braking effectiveness.

The calipers are supplied in Dacromet® coating or Marine Grade Stainless Steel for the ultimate in corrosion resistance, with independent test showing Dacromet® outperforming its zinc-plated equivalent in more than 720 hours of salt spray testing.

The unique low profile design ensures that the caliper fitment will give you flexibility in wheel choice. From 13" rims for a lower profile, up to large 16" rims.

With a full range of AL-KO Aftermarket Products now available, you can easily upgrade or replace your existing trailer braking components with AL-KO Genuine equipment, available through all good retail and boat trailer distributors.

AL-KO Genuine equipment, because there is no price you can place on safety.



Vehicle Technology
QUALITY FOR LIFE

AL-KO

HYDRAULIC DISC BRAKES

Hydraulic Disc Brake Caliper

Part No. Description

341000	AL-KO Hydraulic Disc Brake Caliper with brake pads – Dacromet® (1 only)
341001	AL-KO Hydraulic Disc Brake Caliper with brake pads – Dacromet® (Pair)
341050	AL-KO Hydraulic Disc Brake Caliper with brake pads – Stainless Steel (1 only)
341051	AL-KO Hydraulic Disc Brake Caliper with brake pads – Stainless Steel (Pair)

Hydraulic Disc Brake Caliper Kits

Description

AL-KO Hydraulic Disc Brake Caliper and Disc Hub Kit – 600 x 9 Alloy Wheels Only
 AL-KO Hydraulic Disc Brake Caliper and Disc Hub Kit – 13" to 16" Wheels
 AL-KO Hydraulic Disc Brake Caliper, Disc Hub and Stub Axle Kit – 13" to 16" Wheels

Note: The part number is dependant on the wheel size, stud pattern and bearing kit selected.
 AL-KO can happily size up the appropriate axle with the Hydraulic Disc Brake Caliper kit to suit your application.

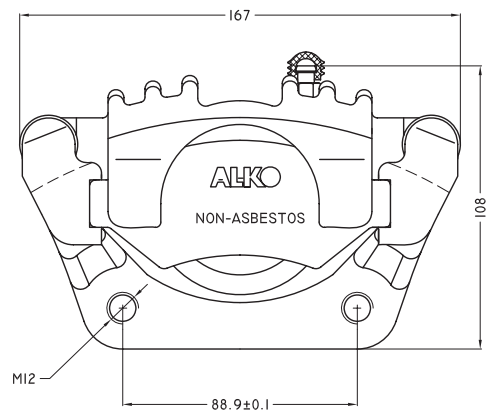
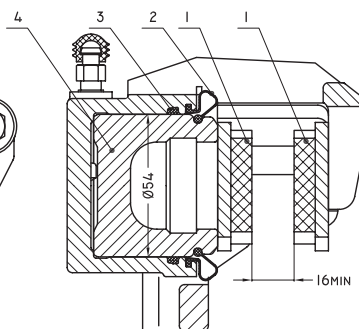
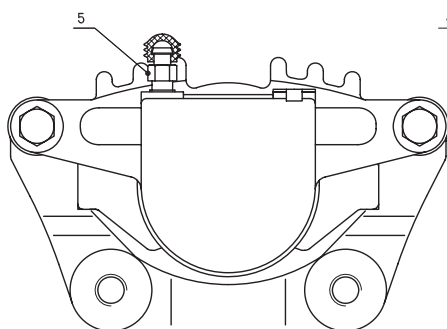
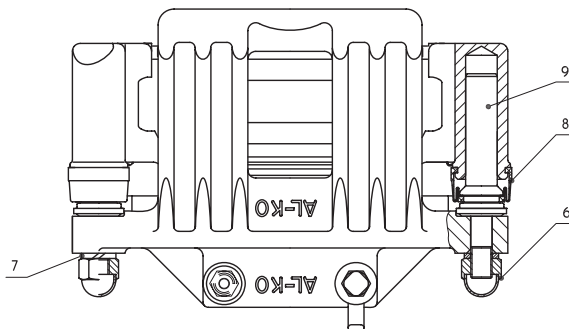
Hydraulic Disc Brake Caliper Service Parts

Part No. Description

341080	Disc Pads x 2 – Suits both Dacromet® & Stainless Steel models
341031	Slide Pin Kit: Includes 2 x slide pin assembly; 2 x slide pin boot – Dacromet®
341081	Slide Pin Kit: Includes 2 x slide pin assembly; 2 x slide pin boot – Stainless Steel
341032	Minor Caliper Repair Kit: Includes 1 x main seal; 1 x piston boot – Dacromet®
341082	Minor Caliper Repair Kit: Includes 1 x main seal; 1 x piston boot – Stainless Steel
341033	Caliper Piston Kit x 1 – Dacromet®
341083	Caliper Piston Kit x 1 – Stainless Steel
341084	Bleed screw x 2 – Suits both Dacromet® & Stainless Steel models

Item No. Part Description

1	Disc Pad
2	Caliper Piston Boot
3	Caliper Piston Seal "O" Ring
4	Caliper Piston
5	Bleed Screw 3/8"
6	Caliper Cap Nut
7	Caliper Spring Washer Ø8
8	Caliper Slide Pin Boot
9	Caliper Slide Pin.



Further information can be obtained by contacting AL-KO on 1800 035 603 or by visiting

www.alko.com.au

AL-KO International Pty Ltd (ABN 96 003 066 813)

VIC: 67 Nathan Road, Dandenong South, 3175	Phone (03) 9767 3700	Fax (03) 9792 0877
NSW: 14 Toohey Road, Wetherill Park, 2164	Phone (02) 8784 9400	Fax (02) 9725 4557
QLD: 13 Union Circuit, Yatala, 4207	Phone (07) 3386 6300	Fax (07) 3386 6399
NZ: 1 Airpark Drive, Airport Oaks, Mangere, Auckland	Phone (09) 255 5611	Fax (09) 255 5612

- **Built Tough.** Tested to 200,000 cycles.
- **Supreme Braking Performance.** A stopping capacity of 1,600kg on 14" wheels.
- **Hard-Wearing.** Available in Dacromet® coating or Marine Grade Stainless Steel for the ultimate corrosion resistance.
- **Resilient.** Phenolic pistons and neoprene seals ensures no corrosion and chemical damage.
- **Durable.** Asbestos-free brake pads.
- **Flexibility in Wheel Selection.** Low profile design.
- **Hassle Free Changeover.** Interchangeable with equivalent products on the market.
- **Safe.** Sliding head hydraulic braking system ensures even brake-pad wear.
- **Effortless Maintenance.** Closed head nuts prevents thread damage and therefore allows easy removal during service.
- **Choice.** Available as stand alone product, in disc brake hub kit or on an assembled axle.
- **Handy.** Is both left and right handed by simply changing the bleed screw position.
- **Convenient.** Suitable for disc thicknesses from 10mm to 15mm.